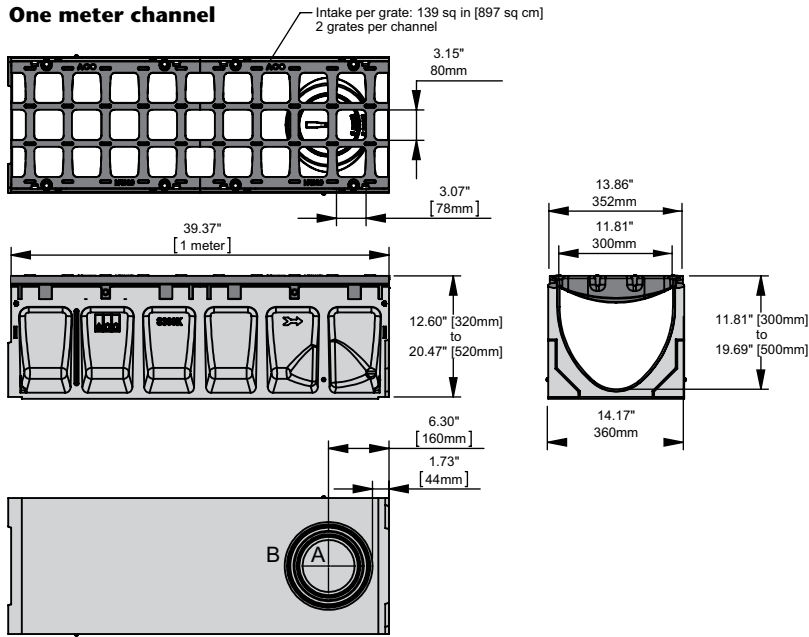
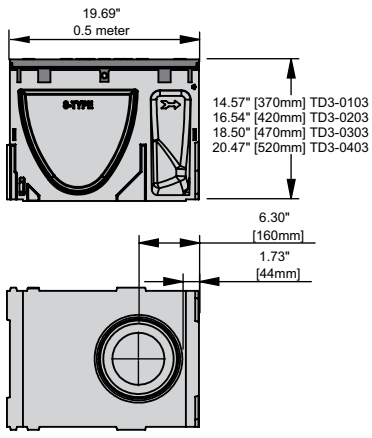


TrafficDrain TD300 Grated

One meter channel

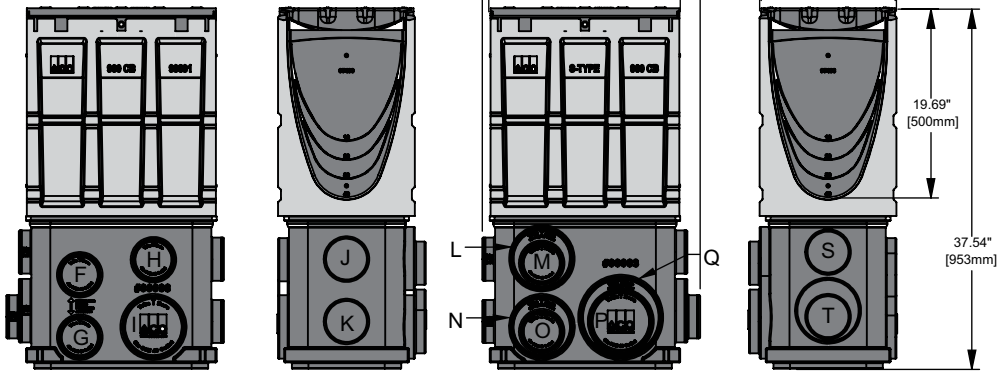


Half meter channel



Knock-outs included on every 5th channel

Type 903D In-line catch basin



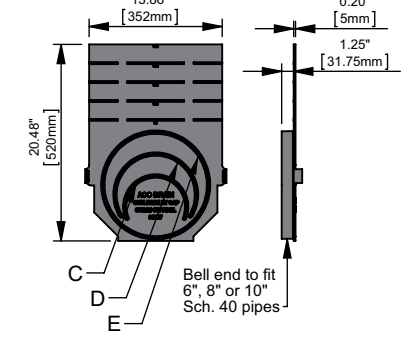
Total capacity = 15.59 gallons

Outlet flow rates

Outlet	Product	Outlet size (Sch. 40)	Invert Depth (in)	GPM	CFGS
A	Bottom outlet - TD3-00	6" round	11.81"	421	0.94
A	Bottom outlet - TD3-040	6" round	19.69"	544	1.21
B	Bottom outlet - TD3-00	8" round	11.81"	748	1.67
B	Bottom outlet - TD3-040	8" round	19.69"	966	2.15
C	End outlet - TD3-00	6" round	11.81"	364	0.81
C	End outlet - TD3-40	6" round	19.69"	500	1.11
D	End outlet - TD3-10	8" round	13.78"	681	1.52
D	End outlet - TD3-40	8" round	19.69"	863	1.92
E	End outlet - TD3-20	10" round	15.75"	1116	2.49
E	End outlet - TD3-40	10" round	19.69"	1304	2.91
F	Type TD3-903D	4" round	29.80"	287	0.64
G	Type TD3-903D	4" round	36.29"	319	0.71
H	Type TD3-903D	4" round	28.22"	279	0.62
I	Type TD3-903D	6" round	36.29"	707	1.58
J	Type TD3-903D	4" round	28.37"	280	0.62
K	Type TD3-903D	4" round	34.87"	312	0.70
L	Type TD3-903D	6" round	29.15"	626	1.39
M	Type TD3-903D	4" round	28.59"	281	0.63
N	Type TD3-903D	6" round	36.28"	707	1.58
O	Type TD3-903D	4" round	35.72"	316	0.70
P	Type TD3-903D	6" round	35.72"	701	1.56
Q	Type TD3-903D	8" round	36.28"	1237	2.76
R	Type TD3-903D	6" round	34.78"	690	1.54
S	Type TD3-903D	4" round	27.65"	276	0.61
T	Type TD3-903D	4" round	34.36"	310	0.69

Note: These are pipe flow rates at the specified outlet, NOT channel flow rates.
*Catch basin flow rates are without trash bucket - using trash bucket reduces flow.

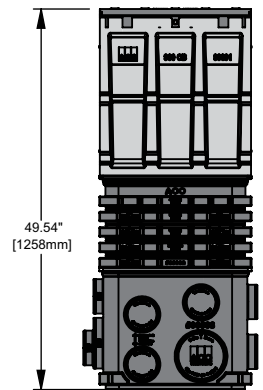
End Cap



Type 904D In-line catch basin

Notes:

1. Riser can be cut down in 1" (25mm) increments.
2. Maximum capacity including riser is 27.82 gallons.
3. Add 12" (300mm) to all heights if using riser.
4. Outlet flow rates will be higher due to increased depth - contact ACO for more details.





Description	Part No.	Invert Inches ²	mm ²	Weight lbs.
TD3-00 Constant depth channel - 39.37" (1m)^D	138150	11.81	300	140.0
TD3-1 Sloped channel - 39.37" (1m)	138151	12.01	305	140.0
TD3-2 Sloped channel - 39.37" (1m)	138152	12.40	315	141.3
TD3-3 Sloped channel - 39.37" (1m)	138153	12.40	315	142.8
TD3-4 Sloped channel - 39.37" (1m)	138154	12.60	320	144.1
TD3-5 Sloped channel - 39.37" (1m) ^D	138155	12.80	325	145.4
TD3-6 Sloped channel - 39.37" (1m)	138156	12.99	330	146.9
TD3-7 Sloped channel - 39.37" (1m)	138157	13.19	335	148.2
TD3-8 Sloped channel - 39.37" (1m)	138158	13.39	340	149.5
TD3-9 Sloped channel - 39.37" (1m)	138159	13.58	345	150.9
TD3-10 Sloped channel - 39.37" (1m) ^D	138160	13.78	350	152.3
TD3-010 Constant depth channel - 39.37" (1m)^D	138195	13.78	350	152.3
TD3-0103 Constant depth channel - 19.69" (0.5m)^D	138201	13.78	350	84.2
TD3-11 Sloped channel - 39.37" (1m)	138161	13.98	355	153.6
TD3-12 Sloped channel - 39.37" (1m)	138162	14.17	360	155.0
TD3-13 Sloped channel - 39.37" (1m)	138163	14.37	365	156.4
TD3-14 Sloped channel - 39.37" (1m)	138164	14.57	370	157.7
TD3-15 Sloped channel - 39.37" (1m) ^D	138165	14.76	375	149.1
TD3-16 Sloped channel - 39.37" (1m)	138166	14.96	380	160.5
TD3-17 Sloped channel - 39.37" (1m)	138167	15.16	385	161.9
TD3-18 Sloped channel - 39.37" (1m)	138168	15.35	390	163.2
TD3-19 Sloped channel - 39.37" (1m)	138169	15.55	395	164.6
TD3-20 Sloped channel - 39.37" (1m) ^D	138170	15.75	400	166.0
TD3-020 Constant depth channel - 39.37" (1m)^D	138196	15.75	400	166.0
TD3-0203 Constant depth channel - 19.69" (0.5m)^D	138202	15.75	400	92.0
TD3-21 Sloped channel - 39.37" (1m)	138171	15.94	405	167.3
TD3-22 Sloped channel - 39.37" (1m)	138172	16.14	410	168.7
TD3-23 Sloped channel - 39.37" (1m)	138173	16.34	415	170.1
TD3-24 Sloped channel - 39.37" (1m)	138174	16.54	420	171.4
TD3-25 Sloped channel - 39.37" (1m) ^D	138175	16.73	425	172.7
TD3-26 Sloped channel - 39.37" (1m)	138176	16.93	430	174.2
TD3-27 Sloped channel - 39.37" (1m)	138177	17.13	435	175.5

Description	Part No.	Invert Inches ²	mm ²	Weight lbs.
TD3-28 Sloped channel - 39.37" (1m)	138178	17.32	440	176.8
TD3-29 Sloped channel - 39.37" (1m)	138179	17.52	445	178.3
TD3-30 Sloped channel - 39.37" (1m) ^D	138180	17.72	450	179.6
TD3-030 Constant depth channel - 39.37" (1m)^D	138197	17.72	450	179.6
TD3-0303 Constant depth channel - 19.69" (0.5m)^D	138198	17.72	450	100.0
TD3-31 Sloped channel - 39.37" (1m)	138181	17.91	455	180.9
TD3-32 Sloped channel - 39.37" (1m)	138182	18.11	460	182.4
TD3-33 Sloped channel - 39.37" (1m)	138183	18.31	465	183.7
TD3-34 Sloped channel - 39.37" (1m)	138184	18.50	470	185.0
TD3-35 Sloped channel - 39.37" (1m) ^D	138185	18.70	475	186.5
TD3-36 Sloped channel - 39.37" (1m)	138186	18.90	480	187.7
TD3-37 Sloped channel - 39.37" (1m)	138187	19.09	485	189.1
TD3-38 Sloped channel - 39.37" (1m)	138188	19.29	490	190.5
TD3-39 Sloped channel - 39.37" (1m)	138189	19.49	495	191.9
TD3-40 Sloped channel - 39.37" (1m) ^D	138190	19.69	500	193.2
TD3-040 Constant depth channel - 39.37" (1m)^D	138199	19.69	500	193.2
TD3-0403 Constant depth channel - 19.69" (0.5m)^D	138200	19.69	500	109.0
TD3-903D In-line catch basin - 19.69" (0.5m) ^D	138203	37.40	950	99.4
TD3-904D In-line catch basin - 19.69" (0.5m) ^D	138204	49.53	1258	104.4
Series 600 Optional plastic riser	99902	-	-	10.0
Foul air trap - fits both 910 & 610 basins	90854	-	-	1.2
TD3 Universal closing/inlet/outlet end cap	96827	19.69	500	2.5
Installation device (joint clamp) - 12 inch system	97479	-	-	4.9
Grate removal tool	01318	-	-	0.3

Notes:

1. This channel offers bottom knockout feature: 6" & 8" round.
2. Inverts shown are male end; for female invert depth subtract 5mm (~0.2") from male invert (except neutral channels where it will be same as male invert). To calculate overall channel depth, add 20mm (0.79") to invert depth.
3. Catch basin assembly includes polymer concrete top, trash bucket and plastic base. Grate not included.
4. Catch basin assembly includes polymer concrete top, deep trash bucket, plastic riser and plastic base. Grate not included.

Specifications		Installation
General The surface drainage system shall be ACO Drain TrafficDrain TD300 as manufactured by ACO Polymer Products, Inc. or equal approved. (Add appropriate grate - see grate spec information).	Salt proof YES Dilute acid and alkali resistant YES	The trench drain system shall be installed in accordance with the manufacturer's installation instructions and recommendations.
Materials The trench system bodies shall be manufactured from polymer concrete with minimum properties as follows:	The nominal clear opening shall be 12" (300mm) with overall width of 14.17" (360mm). Pre-cast units shall be manufactured with either an invert slope of 0.5% or with neutral invert and have a wall thickness of at least 0.5" (12.7mm). Each unit will feature a partial radius in the trench bottom and a male to female interconnecting end profile. Units shall have horizontal cast in anchoring keys on the outside wall to ensure maximum mechanical bond to the surrounding bedding material and pavement surface. The ductile iron edge rail will be integrally cast in by the manufacturer to ensure maximum homogeneity between polymer concrete body and edge rail. Each edge rail shall be at least 1/4" (6mm) thick.	
Compressive strength:	14,000 psi	
Flexural strength:	4,000 psi	
Water absorption	0.07%	
Frost proof	YES	

ACO Polymer Products, Inc.

Northeast Sales Office
9470 Pinecone Dr.
Mentor, OH 44060
Tel: (440) 639-7230
Toll free: (800) 543-4764
Fax: (440) 639-7235

West Sales Office
825 W. Beechcraft St.
Casa Grande, AZ 85122
Tel: (520) 421-9988
Toll Free: (888) 490-9552
Fax: (520) 421-9899

Southeast Sales Office
4211 Pleasant Road
Fort Mill, SC 29708
Toll free: (800) 543-4764
Fax: (803) 802-1063



Electronic Contact:
info@ACODrain.us
www.ACODrain.us



© April 2017 ACO Polymer Products, Inc. This information is believed to be accurate but it is not guaranteed to be so. We cannot assume liability for results that buyer obtains with our product since conditions of use are beyond the control of the company. It is the customer's responsibility to evaluate suitability and safety of product for his own use. ACO Polymer Products Inc. reserves the right to change the product and specifications without notice.