

BridgeDrain Scupper - Slotted Iron Grate



Product Features

- Certified to DIN 19580 Load Class E - 135,000 lbs - 2,323 psi
- Supplied with two ½ -13 x 1½" hex head bolts to lock down grate
- Suitable for use with any ACO Road BridgeDrain Scupper
- Manufactured from ductile iron to ASTM A 536-84 - Grade 64-45-12
- E-coated for improved resistance against rust



Specifications

General

The surface drainage system shall be ACO ROAD BridgeDrain Scupper complete with ductile iron slotted grate with bolt locking as manufactured by ACO Polymer Products, Inc. or similar approved.

Materials

The covers shall be manufactured from ductile iron and have *minimum* properties as follows:

- **Independently certified to meet Load Class E to DIN 19580 - 135,000 lbs - 2,323 psi**
- **Ductile iron to ASTM A 536-84 - Grade 65-45-12**
- **Intake area of 58.7 sq. in. (378.7 cm²) per 18" grate**

The overall width of 10.00" (254mm) and overall length of 18.00" (457mm). Slots measure 7.87" (200mm) by 0.61" (15mm).

Installation

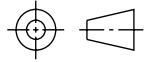
The trench drain system and grates shall be installed in accordance with the manufacturer's installation instructions and recommendations.

ACO Specification Information

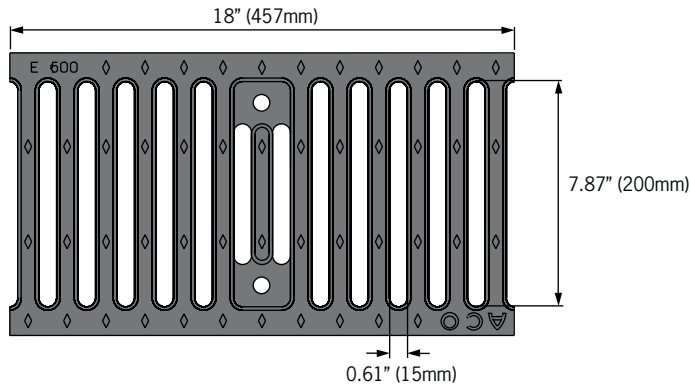


ACO ROAD

BridgeDrain Scupper - Ductile iron grate



Plan view



Side elevation



Description	Part No.	Length inches (mm)	Width inches (mm)	Weight lbs.
Ductile iron slotted grate	93896	18.00 (457)	10.00 (254)	28.2
Replacement stainless steel hex head bolts (Qty 2)	93892	-	-	0.2

ACO Specification Information

ACO Polymer Products, Inc.

East Sales Office

P.O. Box 245
Chardon, OH 44024
Tel: (440) 285-7000
Toll free: (800) 543-4764
Fax: (440) 285-7005

West Sales Office

P.O. Box 12067
Casa Grande, AZ 85230
Tel: (520) 421-9988
Toll Free: (888) 490-9552
Fax: (520) 421-9899

Follow us on



Electronic Contact:

info@acousa.com
www.acousa.com

