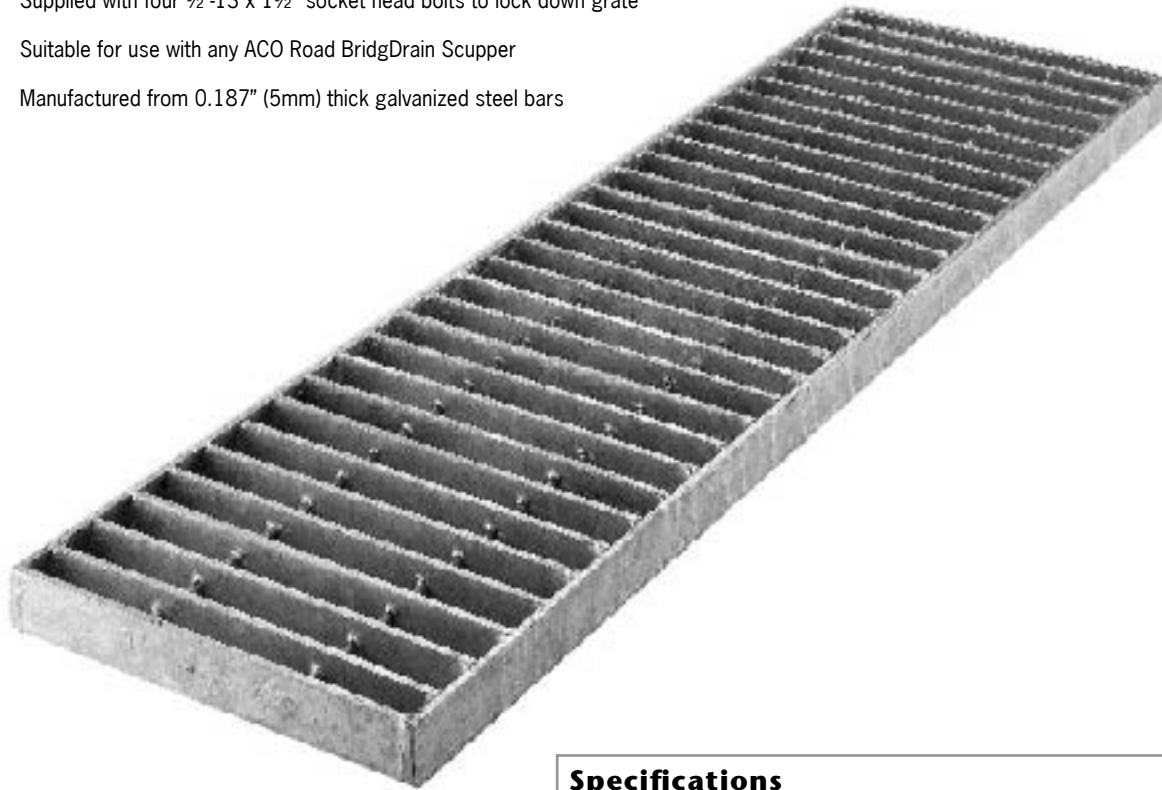


BridgeDrain Scupper - Bar Steel Grate



Product Features

- Certified to DIN 19580 Load Class C - 56,000 lbs - 968 psi
- Supplied with four ½ -13 x 1½" socket head bolts to lock down grate
- Suitable for use with any ACO Road BridgeDrain Scupper
- Manufactured from 0.187" (5mm) thick galvanized steel bars



Specifications

General

The surface drainage system shall be ACO ROAD BridgeDrain Scupper complete with galvanized steel bar grate with bolt locking as manufactured by ACO, Inc. or similar approved.

Materials

The covers shall be manufactured from galvanized steel and have **minimum** properties as follows:

- **Independently certified to meet Load Class C to DIN 19580 - 56,000 lbs - 968 psi**
- **Intake area of 264.0 sq. in. (1703.2 cm²) per 36" grate**

The overall width of 10.00" (254mm) and overall length of 18.00" (457mm) or 36.00" (915mm). Slots measure 3.62" (92mm) by 1.0" (25mm) and 2.69" (68mm) by 1.0" (25mm).

Installation

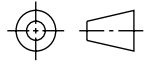
The trench drain system and grates shall be installed in accordance with the manufacturer's installation instructions and recommendations.

ACO Specification Information

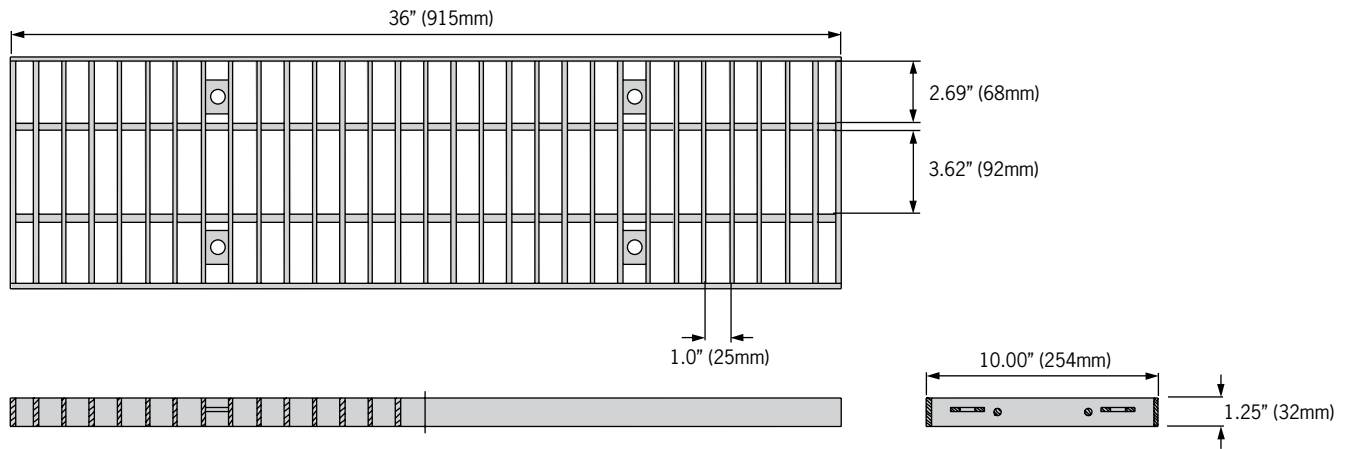
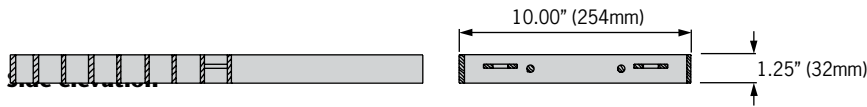
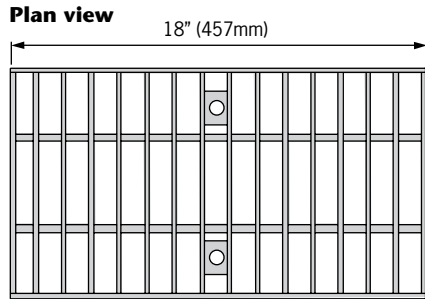


ACO ROAD

BridgeDrain Scupper - Galvanized steel grate



ACO Specification Information



Description	Part No.	Length inches (mm)	Width inches (mm)	Weight lbs.
Galvanized steel bar grate - 18"	93900	18.00 (457)	10.00 (254)	15.0
Galvanized steel bar grate - 36"	93899	36.00 (915)	10.00 (254)	28.6
Replacement galvanized steel socket head bolts (Qty 4)	93895	-	-	0.4

ACO, Inc.

East Sales Office
 9470 Pinecone Drive
 Mentor, OH 44060
 Tel: (440) 639-7230
 Toll free: (800) 543-4764
 Fax: (440) 639-7235

West Sales Office
 825 W. Beechcraft St.
 Casa Grande, AZ 85122
 Tel: (520) 421-9988
 Toll Free: (888) 490-9552
 Fax: (520) 421-9899

Follow us on



Electronic Contact:
 info@acousa.com
 www.acousa.com



© March 2018 ACO, Inc. This information is believed to be accurate but it is not guaranteed to be so. We cannot assume liability for results that buyer obtains with our product since conditions of use are beyond the control of the company. It is the customer's responsibility to evaluate suitability and safety of product for his own use. ACO, Inc. reserves the right to change the product and specifications without notice.