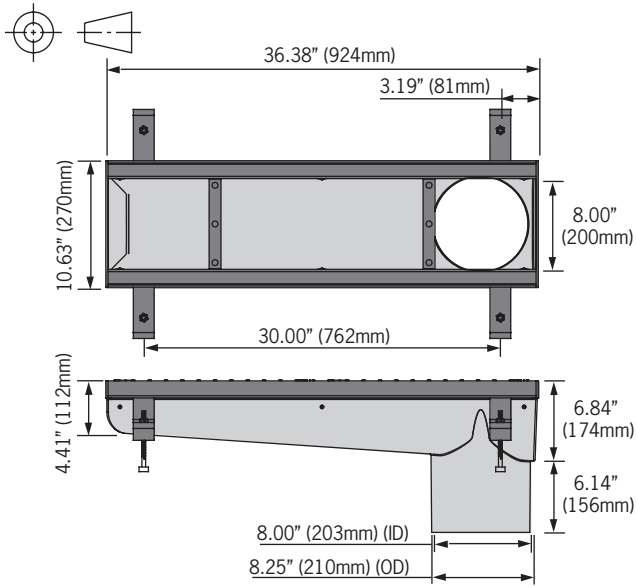


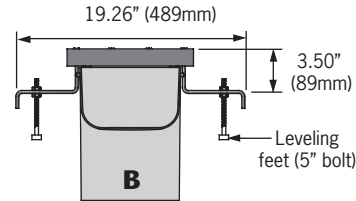


# BridgeDrain - 36" Scupper with galvanized frame



### Outlet flow rates

Outlet	Outlet Size	Invert Depth	GPM	CFS
A	8" ID pipe	6.60"	516	1.15



### Specification

#### General

The scupper shall be ACO INFRASTRUCTURE BridgeDrain Scuppers as manufactured by ACO Polymer Products, Inc. or equal approved.

#### Materials

The scupper bodies shall be manufactured from polyester fiberglass, with minimum properties as follows:  
 Compressive strength: 24,400 psi  
 Flexural strength: 9,943 psi  
 Water absorption: 0.33%  
 Frost proof  
 Salt proof - B117 Salt Spray Test compliant  
 Dilute acid and alkali resistant

The nominal clear opening shall be 8.00" (203mm) with overall width of 10.63" (270mm). Units shall be manufactured with a sloped invert and have a wall thickness of at least 0.125" (3mm) Each unit will feature a 8" outlet pipe. The fiberglass channel body shall be fixed to the frame using push fit nylon studs. Overall length shall be 36.38".

Frames shall be manufactured from either minimum 0.188" (5mm) thick galvanized steel and incorporate levelling feet to ensure correct and easy installation; leveling feet also act as concrete anchors to ensure maximum mechanical bond to surrounding bedding material and pavement surface.

#### Grates

See separate ACO Spec Info sheets for details.

#### Installation

The surface drain system shall be installed in accordance with the manufacturer's installation instructions and drawings.

### BridgeDrain Scupper - Part List

Description	Part No	Length		Invert Depth - female		Invert Depth - male		Weight lbs
		inches	mm	inches	mm	inches	mm	
<b>Scuppers</b>								
36" scupper with galv. frame	95351	36.38	924	4.30	109	6.60	167	85.0

#### ACO Polymer Products, Inc.

**West Sales Office**  
 P.O. Box 12067  
 Casa Grande, AZ 85230  
 Tel: (520) 421-9988  
 Toll Free: (888) 490-9552  
 Fax: (520) 421-9899

**Northeast Sales Office**  
 P.O. Box 245  
 Chardon, OH 44024  
 Tel: (440) 285-7000  
 Toll free: (800) 543-4764  
 Fax: (440) 285-7005

**Southeast Sales Office**  
 4211 Pleasant Road  
 Fort Mill, SC 29708  
 Tel: (800) 543-4764  
 (800) 662-2377  
 Fax (803) 802-1063



**Electronic Contact:**  
 info@acousa.com  
 www.acousa.com

© July 2013 ACO Polymer Products, Inc.  
 All reasonable care has been taken in compiling this document. All recommendations on the use of ACO products are made without guarantee since the conditions of use are beyond the control of the company. ACO reserves the right to change the product and specifications without notice.



ACO Specification Information