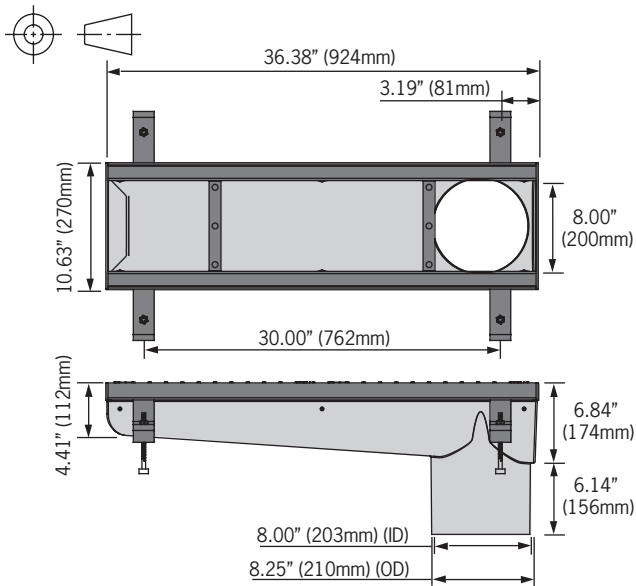


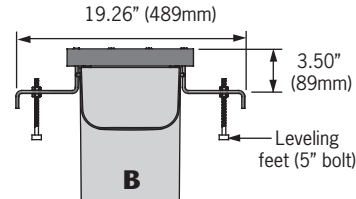


BridgeDrain - 36" Scupper with black coated frame



Outlet flow rates

Outlet	Outlet Size	Invert Depth	GPM	CFS
A	8" ID pipe	6.60"	516	1.15



Specification

General

The scupper shall be ACO INFRASTRUCTURE BridgeDrain Scuppers as manufactured by ACO Polymer Products, Inc. or equal approved.

Materials

The scupper bodies shall be manufactured from polyester fiberglass, with minimum properties as follows:
 Compressive strength: 24,400 psi
 Flexural strength: 9,943 psi
 Water absorption: 0.33%
 Frost proof
 Salt proof - B117 Salt Spray Test compliant
 Dilute acid and alkali resistant

The nominal clear opening shall be 8.00" (203mm) with overall width of 10.63" (270mm). Units shall be manufactured with a sloped invert and have a wall thickness of at least 0.125" (3mm) Each unit will feature a 8" outlet pipe. The fiberglass channel body shall be fixed to the frame using push fit nylon studs. Overall length shall be 36.38".

Frames shall be manufactured from either minimum 0.188" (5mm) thick black powder coated steel and incorporate levelling feet to ensure correct and easy installation; leveling feet also act as concrete anchors to ensure maximum mechanical bond to surrounding bedding material and pavement surface.

Grates

See separate ACO Spec Info sheets for details.

Installation

The surface drain system shall be installed in accordance with the manufacturer's installation instructions and drawings.

BridgeDrain Scupper - Part List

Description	Part No	Length		Invert Depth - female		Invert Depth - male		Weight lbs
		inches	mm	inches	mm	inches	mm	
Scuppers								
36" scupper with black frame	95348	36.38	924	4.30	109	6.60	167	85.0

ACO Polymer Products, Inc.

West Sales Office
 P.O. Box 12067
 Casa Grande, AZ 85230
 Tel: (520) 421-9988
 Toll Free: (888) 490-9552
 Fax: (520) 421-9899

Northeast Sales Office
 P.O. Box 245
 Chardon, OH 44024
 Tel: (440) 285-7000
 Toll free: (800) 543-4764
 Fax: (440) 285-7005

Southeast Sales Office
 4211 Pleasant Road
 Fort Mill, SC 29708
 Tel: (800) 543-4764
 (800) 662-2377
 Fax (803) 802-1063



Electronic Contact:
 info@acousa.com
 www.acousa.com

© July 2013 ACO Polymer Products, Inc.
 All reasonable care has been taken in compiling this document. All recommendations on the use of ACO products are made without guarantee since the conditions of use are beyond the control of the company. ACO reserves the right to change the product and specifications without notice.



ACO Specification Information