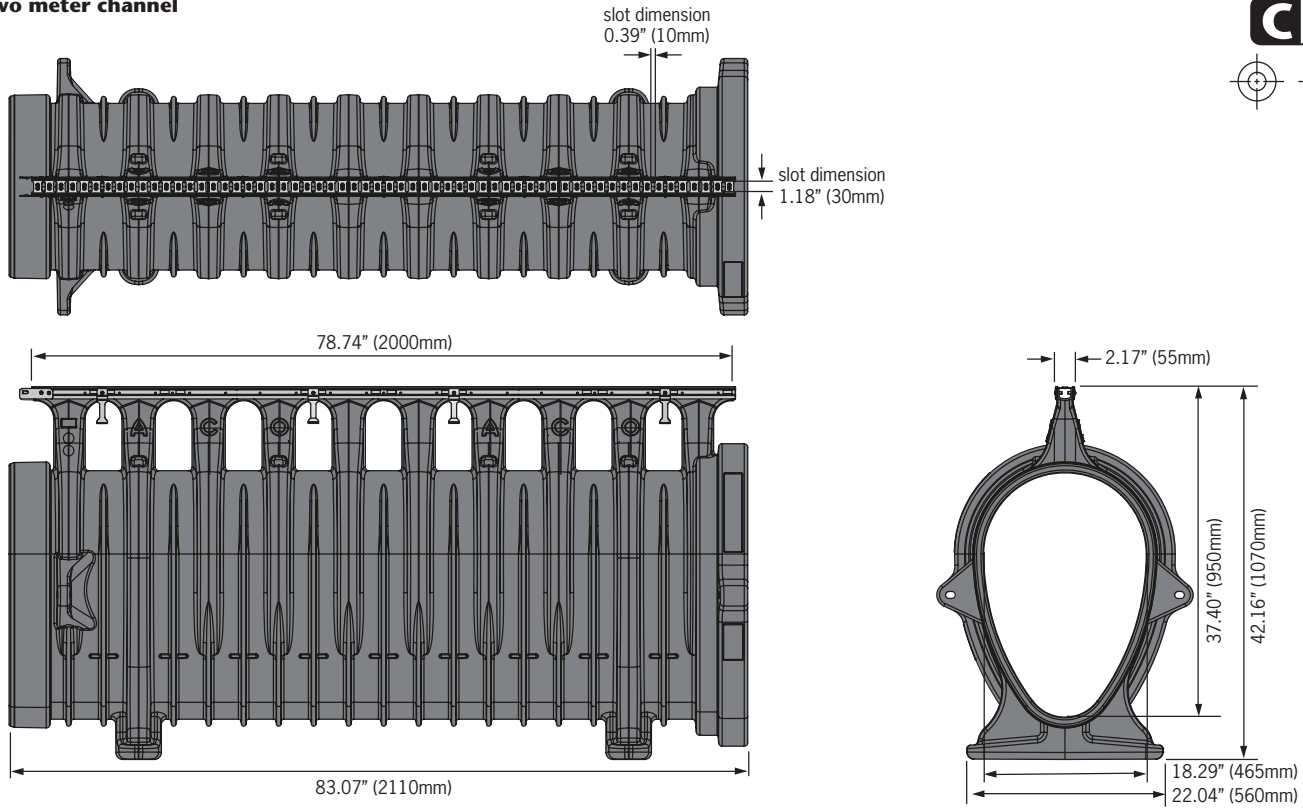
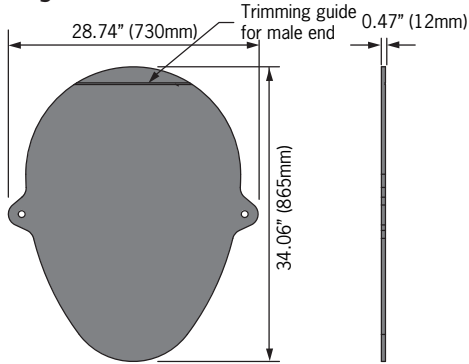


**Qmax - 465 channel with Q-Guard galvanized steel rail**

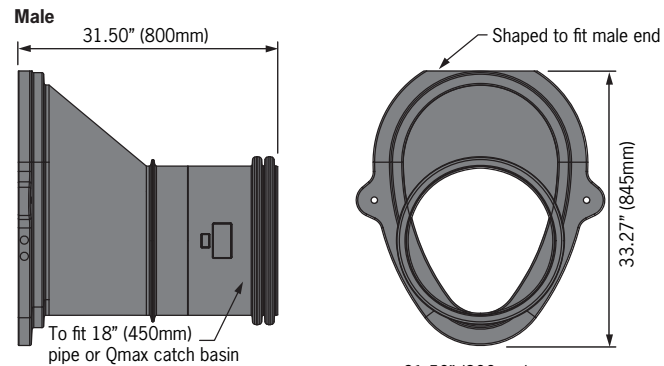
**Two meter channel**



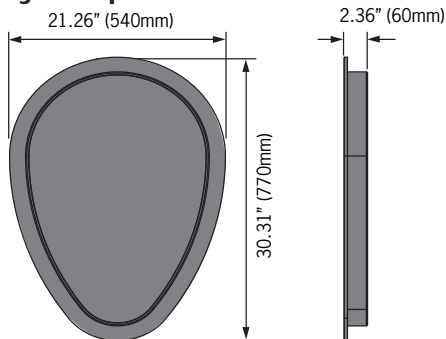
**Closing End Plate**



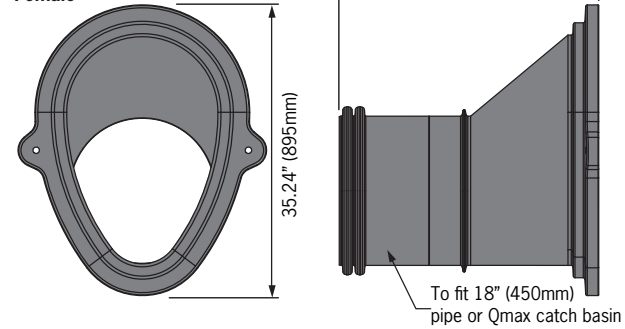
**Outlet flume/catch basin connectors**



**Closing End Cap**



**Female**



*ACO Specification Information*

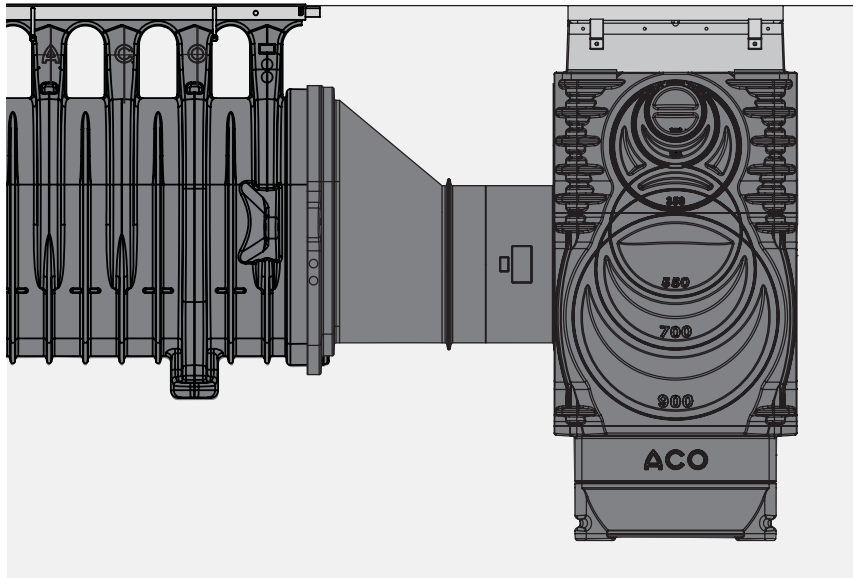
**ACO INFRASTRUCTURE**

**Qmax - 465 channel with Q-Guard galvanized steel rail**



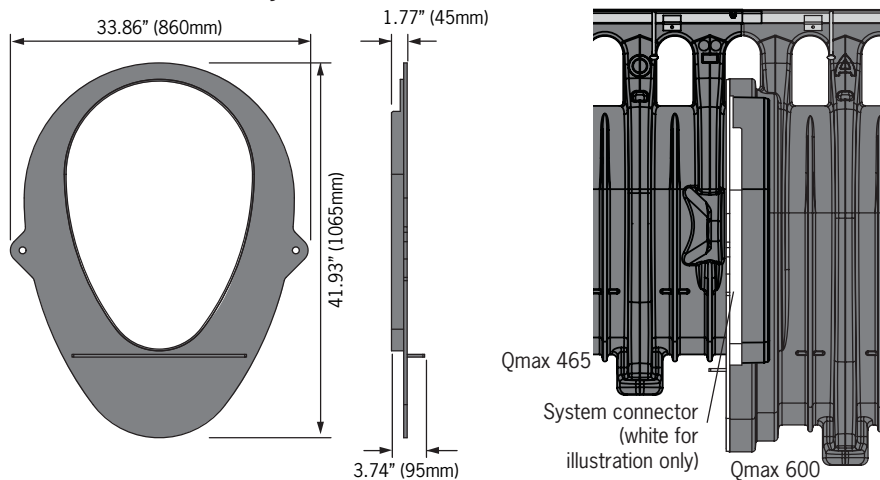
Description	Part No	Invert inches	Wgt lbs
	Qmax® 465 channel with Q-Guard galvanized steel rail - 78.75" (2000mm)	<b>32833</b>	37.40
<b>Accessories</b>			
Qmax® 465 Closing end plate (Fits male or female end of uncut channels)	<b>32835</b>	-	10.8
Qmax® 465 Closing end cap (Easy push fit cap for cut channel ends)	<b>32887</b>	-	6.8
Qmax® 465 to Qmax 600® System connector plate	<b>32883</b>	-	8.1
Qmax® 465 Outlet flume/catch basin connector (male)	<b>44362</b>	-	16.9
Qmax® 465 Outlet flume/catch basin connector (female)	<b>44363</b>	-	17.2

**Typical Qmax 465 connection to catch basin**



Qmax 465 channel      Outlet flume/catch basin connector (female)      Qmax Catch Basin (tall) -see appropriate Spec Info

**Qmax 465 to Qmax 600 system connection**



Qmax 465      System connector (white for illustration only)      Qmax 600

**Specifications**

**General**

The surface drainage system shall be ACO Qmax 465 with galvanized steel Q-Guard top as manufactured by ACO Polymer Products, Inc. or equal approved.

**Materials**

The trench system bodies shall be manufactured from medium density polyethylene with:

- Compressive strength: 8,450 psi
- Flexural strength: 2,224 psi
- Water absorption 0.31%

The nominal clear opening shall be 18.29" (465mm) with unit overall width of 22.04" (560mm). Units shall be manufactured with a neutral invert of 37.40" (950mm). Each unit will feature a full radius in the channel bottom and a male to female interconnecting end profile, a rubber seal shall be fitted to the bell end of the channel unit. Units shall have molded anchoring features on the outside wall to ensure maximum mechanical bond to the surrounding bedding material and pavement surface.

**Grate Unit**

Grates shall be factory fitted to MDPE bodies to provide a monolithic unit. Water intake area per 2 meter unit will be 25.90in<sup>2</sup> (16,712mm<sup>2</sup>)

**Catch Basin**

See appropriate spec info for catch basin information.

**Installation**

The trench drain system shall be installed in accordance with the manufacturer's installation instructions and recommendations.

**ACO Polymer Products, Inc.**

**Northeast Sales Office**  
 P.O. Box 245  
 Chardon, OH 44024  
 Tel: (440) 285-7000  
 Toll free: (800) 543-4764  
 Fax: (440) 285-7005

**West Sales Office**  
 P.O. Box 12067  
 Casa Grande, AZ 85130  
 Tel: (520) 421-9988  
 Toll Free: (888) 490-9552  
 Fax: (520) 421-9899

**Southeast Sales Office**  
 4211 Pleasant Road  
 Fort Mill, SC 29708  
 Toll free: (800) 543-4764  
 Fax: (803) 802-1063



**Electronic Contact:**  
 info@acousa.com  
 www.acousa.com



© August 6, 2013 ACO Polymer Products, Inc. This information is believed to be accurate but it is not guaranteed to be so. We cannot assume liability for results that buyer obtains with our product since conditions of use are beyond the control of the company. It is the customer's responsibility to evaluate suitability and safety of product for his own use. ACO Polymer Products Inc. reserves the right to change the product and specifications without notice. Reorder RD033