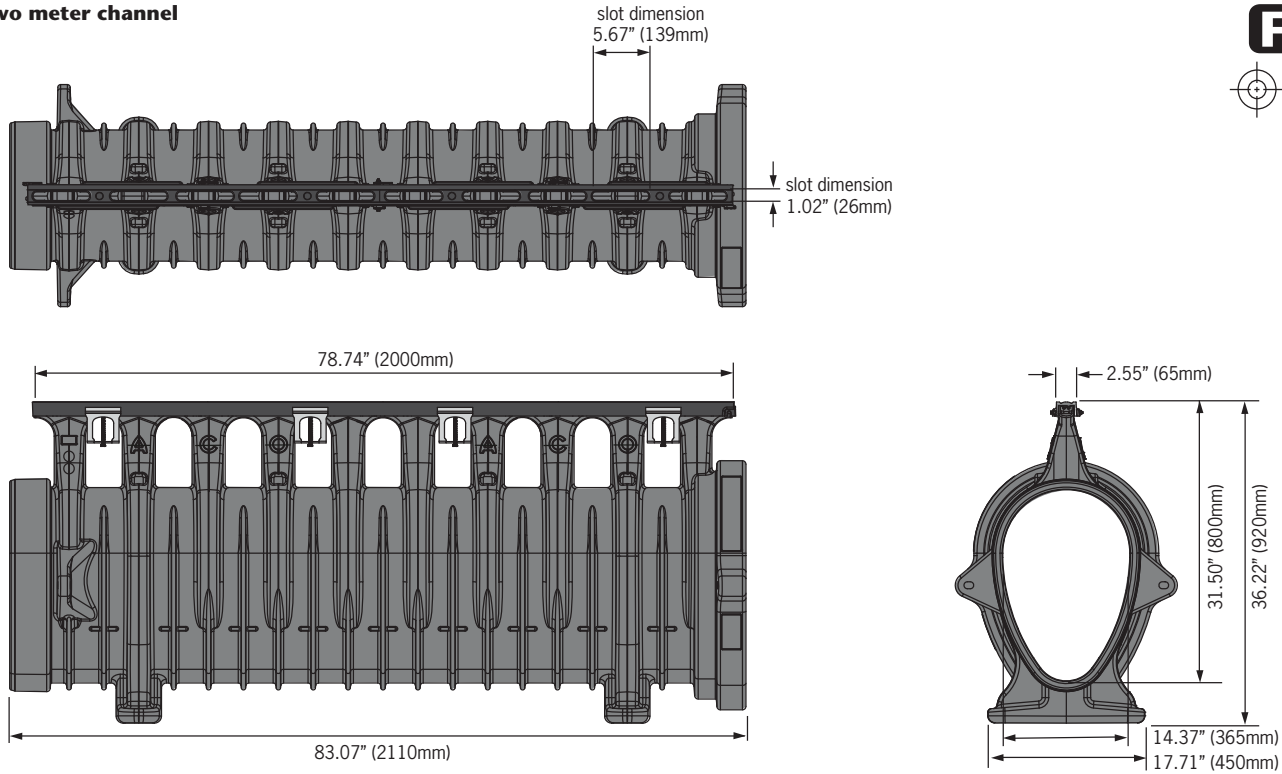
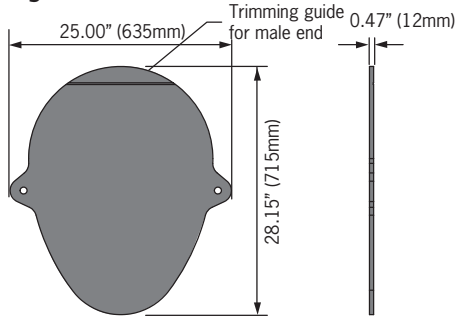


Qmax - 365 channel with Q-Flow ductile iron rail

Two meter channel

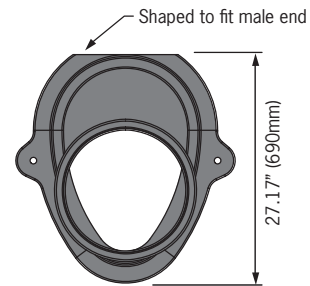
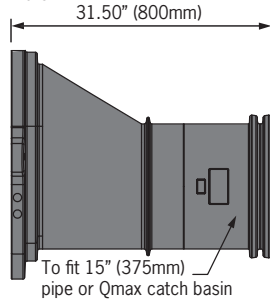


Closing End Plate

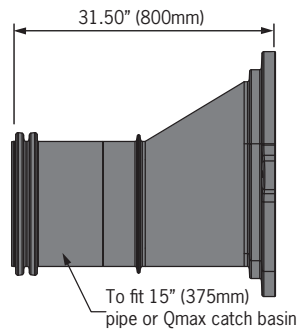
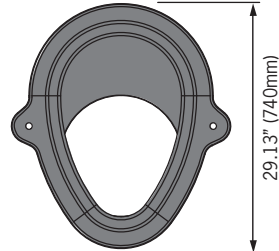


Outlet flume/catch basin connectors

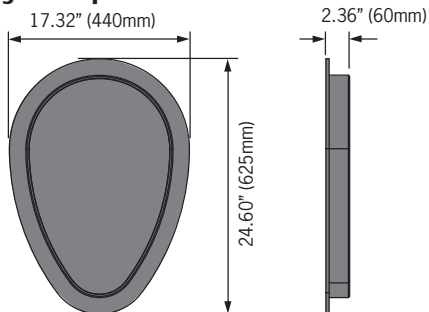
Male



Female



Closing End Cap



ACO Specification Information

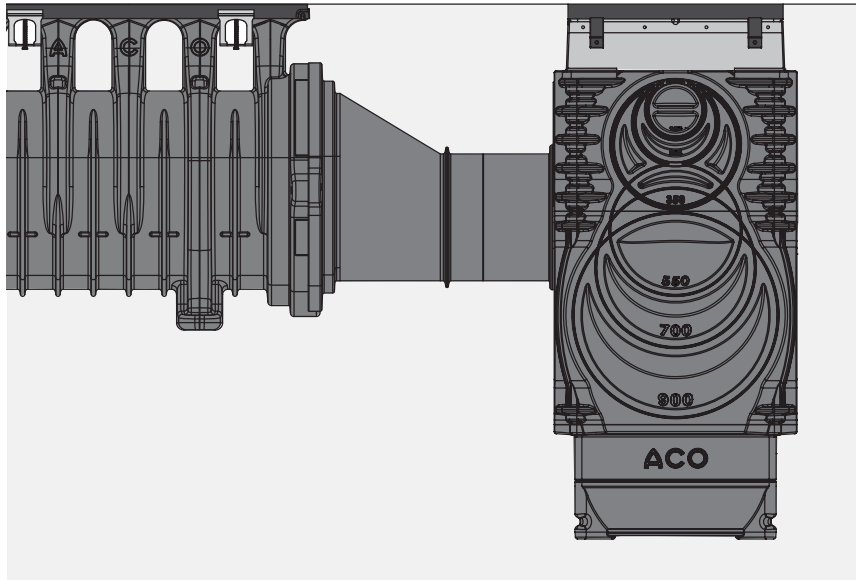
ACO INFRASTRUCTURE

Qmax - 365 channel with Q-Flow ductile iron rail



Description	Part No	Invert inches	Wgt lbs
Qmax® 365 channel with Q-Flow ductile iron rail - 78.75" (2000mm)	32820	31.50	96.8
Accessories			
Qmax® 365 Closing end plate (Fits male or female end of uncut channels)	32825	-	7.7
Qmax® 365 Closing end cap (Easy push fit cap for cut channel ends)	32886	-	4.6
Qmax® 365 to Qmax® 465 System connector plate	32882	-	5.5
Qmax® 365 Outlet flume/catch basin connector (male)	44360	-	12.5
Qmax® 365 Outlet flume/catch basin connector (female)	44361	-	12.8

Typical Qmax 365 connection to catch basin

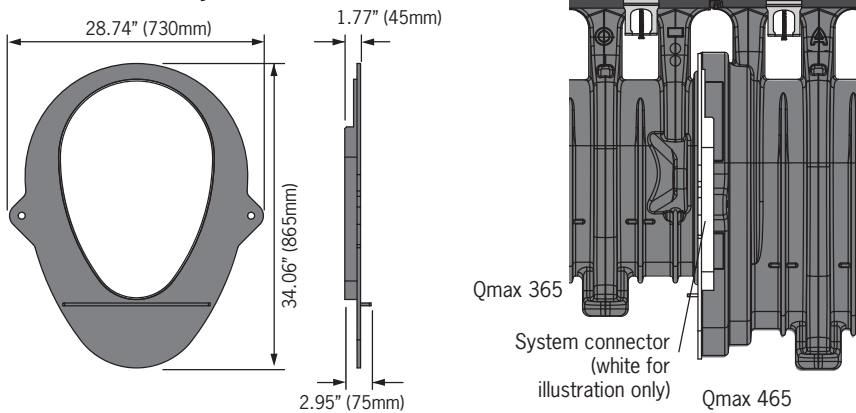


Qmax 365 channel

Outlet flume/catch basin connector (female)

Qmax Catch Basin (tall)
-see appropriate Spec Info

Qmax 365 to 465 system connection



Qmax 365

System connector
(white for illustration only)

Qmax 465

Specifications

General

The surface drainage system shall be ACO Qmax 365 with ductile iron Q-Flow top as manufactured by ACO Polymer Products, Inc. or equal approved.

Materials

The trench system bodies shall be manufactured from medium density polyethylene with:

Compressive strength: 8,450 psi
Flexural strength: 2,224 psi
Water absorption 0.31%

The nominal clear opening shall be 14.37" (365mm) with unit overall width of 17.71" (450mm). Units shall be manufactured with a neutral invert of 31.50" (800mm). Each unit will feature a full radius in the channel bottom and a male to female interconnecting end profile, a rubber seal shall be fitted to the bell end of the channel unit. Units shall have molded anchoring features on the outside wall to ensure maximum mechanical bond to the surrounding bedding material and pavement surface.

Grate Unit

Grates shall be factory fitted to MDPE bodies to provide a monolithic unit. Water intake area per 2 meter unit will be 58.20in² (37,550mm²)

Catch Basin

See appropriate spec info for catch basin information.

Installation

The trench drain system shall be installed in accordance with the manufacturer's installation instructions and recommendations.

ACO Polymer Products, Inc.

Northeast Sales Office
P.O. Box 245
Chardon, OH 44024
Tel: (440) 285-7000
Toll free: (800) 543-4764
Fax: (440) 285-7005

West Sales Office
P.O. Box 12067
Casa Grande, AZ 85130
Tel: (520) 421-9988
Toll Free: (888) 490-9552
Fax: (520) 421-9899

Southeast Sales Office
4211 Pleasant Road
Fort Mill, SC 29708
Toll free: (800) 543-4764
Fax: (803) 802-1063

Follow us on



Electronic Contact:
info@acousa.com
www.acousa.com



© July 23, 2013 ACO Polymer Products, Inc. This information is believed to be accurate but it is not guaranteed to be so. We cannot assume liability for results that buyer obtains with our product since conditions of use are beyond the control of the company. It is the customer's responsibility to evaluate suitability and safety of product for his own use. ACO Polymer Products Inc. reserves the right to change the product and specifications without notice. Reorder RD026