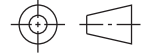
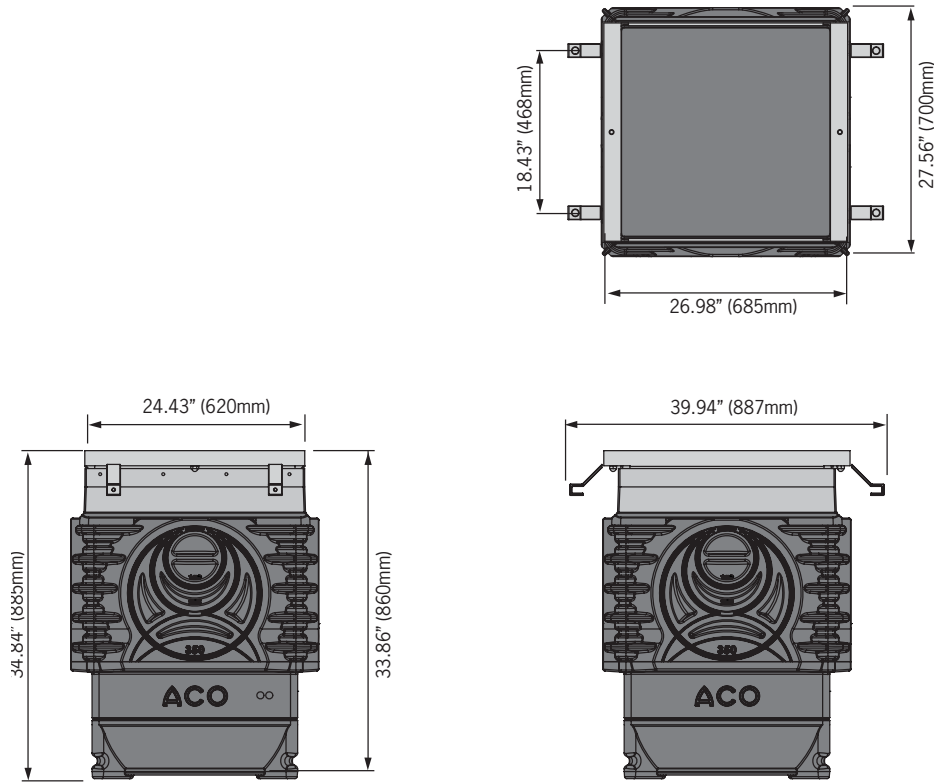


**Qmax - Catch basin short with galvanized steel rail**

Catch Basin (24"x 24"x 58")



*ACO Specification Information*

**ACO INFRASTRUCTURE**

**Qmax - Catch basin short with galvanized steel rail**

Description	Part	Invert	Wgt
	No	inches	lbs
Qmax® catch basin - short (24" x 24" x 58")	90932	33.86	40.0
<b>Accessories</b>			
Galvanized steel frame	98034	-	24.2

**Specifications**

**General**

The surface drainage system shall be ACO Qmax Catch Basin short with galvanized steel frame as manufactured by ACO Polymer Products, Inc. or equal approved.

**Materials**

The catch basin body shall be manufactured from medium density polyethylene with minimum properties as follows:

Compressive strength: 8,450 psi  
 Flexural strength: 2,224 psi  
 Water absorption: 0.31 %

Catch basin frame connection piece shall be manufactured from fiberglass, with minimum properties as follows:

Compressive strength: 24,400 psi  
 Flexural strength: 9,943 psi  
 Water absorption 0.33%

The nominal clear opening shall be 23.17" (588mm) wide by 23.56" (598mm) long. Overall width of 27.36" (694mm) wide by 24.43" (620mm) long.

Each unit will feature molded cut-out guides to match Qmax channel inverts. Units shall have molded anchoring features on the outside wall to ensure maximum mechanical bond to the surrounding bedding material and pavement surface.

Frames shall be manufactured from galvanized steel and shall incorporate anchoring features to ensure maximum mechanical bond to surrounding bedding material and pavement surface. Frames shall incorporate installation brackets to ensure correct and easy installation. Frames shall be at least 3/16"(5mm) thick.

**Grates**

Grates should be specified. See separate ACO Spec Info grate sheets for details.

**Installation**

The catch basin shall be installed in accordance with the manufacturer's installation instructions and recommendations.

**ACO Polymer Products, Inc.**

**Northeast Sales Office**  
 P.O. Box 245  
 Chardon, OH 44024  
 Tel: (440) 285-7000  
 Toll free: (800) 543-4764  
 Fax: (440) 285-7005

**West Sales Office**  
 P.O. Box 12067  
 Casa Grande, AZ 85130  
 Tel: (520) 421-9988  
 Toll Free: (888) 490-9552  
 Fax: (520) 421-9899

**Southeast Sales Office**  
 4211 Pleasant Road  
 Fort Mill, SC 29708  
 Toll free: (800) 543-4764  
 Fax: (803) 802-1063



**Electronic Contact:**  
 info@acousa.com  
 www.acousa.com



© July 29, 2013 ACO Polymer Products, Inc. This information is believed to be accurate but it is not guaranteed to be so. We cannot assume liability for results that buyer obtains with our product since conditions of use are beyond the control of the company. It is the customer's responsibility to evaluate suitability and safety of product for his own use. ACO Polymer Products Inc. reserves the right to change the product and specifications without notice. Reorder RD041