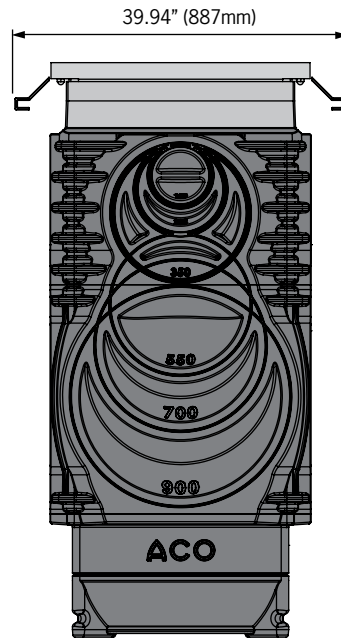
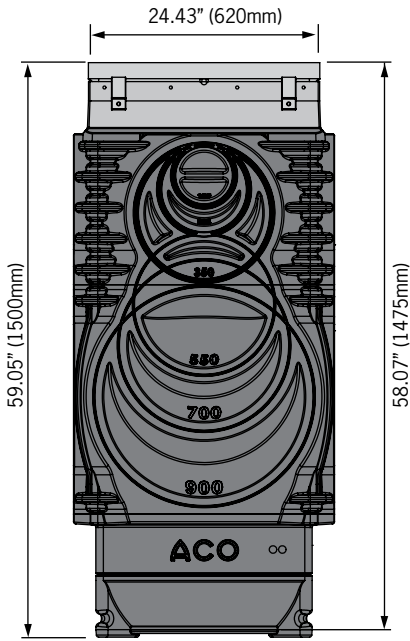
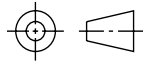
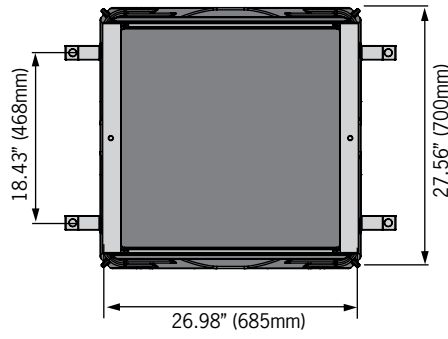


Qmax - Catch basin deep with galvanized steel rail

Catch Basin (24" x 24" x 58")



ACO Specification Information

Qmax - Catch basin deep with galvanized steel rail

ACO Specification Information

Description	Part	Invert	Wgt
	No	inches	lbs
Qmax® catch basin - deep (24" x 24" x 58")	90931	45.47	60.0
Accessories			
Galvanized steel frame	98034	-	24.2

Specifications

General

The surface drainage system shall be ACO Qmax Catch Basin Deep with galvanized steel frame as manufactured by ACO, Inc. or equal approved.

Materials

The catch basin body shall be manufactured from medium density polyethylene with minimum properties as follows:

Compressive strength: 8,450 psi
 Flexural strength: 2,224 psi
 Water absorption: 0.31 %

Catch basin frame connection piece shall be manufactured from fiberglass, with minimum properties as follows:

Compressive strength: 24,400 psi
 Flexural strength: 9,943 psi
 Water absorption: 0.33%

The nominal clear opening shall be 23.17" (588mm) wide by 23.56" (598mm) long. Overall width of 27.36" (694mm) wide by 24.43" (620mm) long.

Each unit will feature molded cut-out guides to match Qmax channel inverts. Units shall have molded anchoring features on the outside wall to ensure maximum mechanical bond to the surrounding bedding material and pavement surface.

Frames shall be manufactured from galvanized steel and shall incorporate anchoring features to ensure maximum mechanical bond to surrounding bedding material and pavement surface. Frames shall incorporate installation brackets to ensure correct and easy installation. Frames shall be at least 3/16"(5mm) thick.

Grates

Grates should be specified. See separate ACO Spec Info grate sheets for details.

Installation

The catch basin shall be installed in accordance with the manufacturer's installation instructions and recommendations.

ACO, Inc.
Northeast Sales Office
 9470 Pinecone Drive
 Mentor, OH 44060
 Tel: (440) 639-7230
 Toll free: (800) 543-4764
 Fax: (440) 639-7235

West Sales Office
 825 W. Beechcraft St.
 Casa Grande, AZ 85122
 Tel: (520) 421-9988
 Toll Free: (888) 490-9552
 Fax: (520) 421-9899

Southeast Sales Office
 4211 Pleasant Road
 Fort Mill, SC 29708
 Toll free: (800) 543-4764
 Fax: (803) 802-1063



Electronic Contact:
 info@acousa.com
 www.acousa.com



© April 2018 ACO, Inc. This information is believed to be accurate but it is not guaranteed to be so. We cannot assume liability for results that buyer obtains with our product since conditions of use are beyond the control of the company. It is the customer's responsibility to evaluate suitability and safety of product for his own use. ACO, Inc. reserves the right to change the product and specifications without notice.