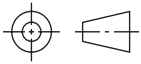
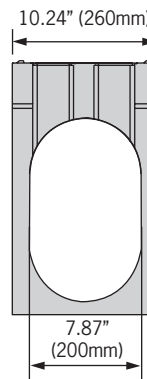
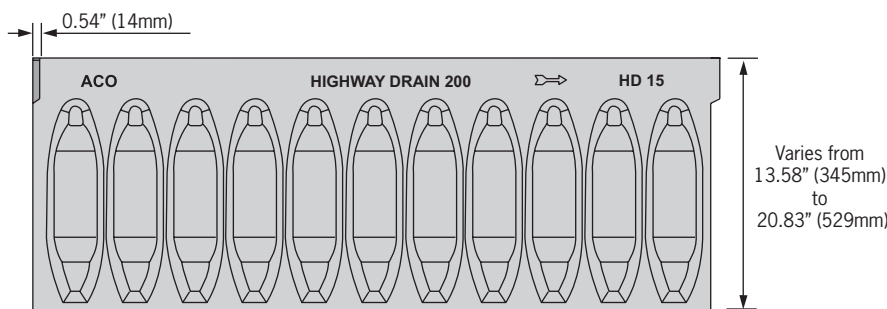
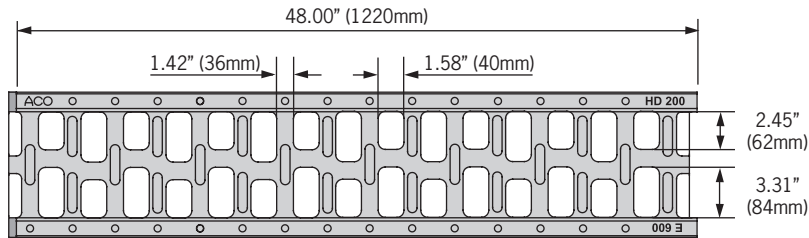




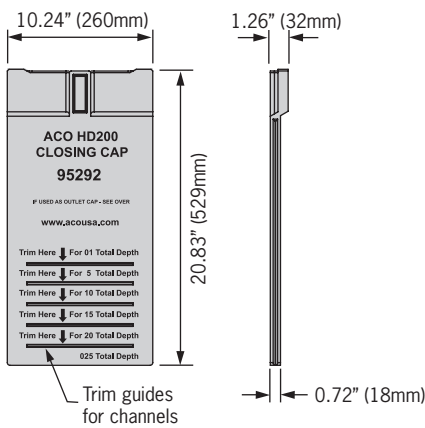
# HighwayDrain



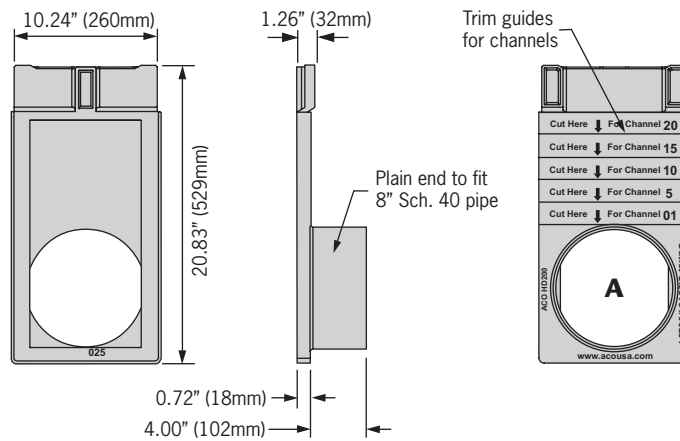
## Channel



## Closing Cap



## Outlet Cap



**Note:** Outlet cap is a two part sliding unit to account for all depths

ACO Specification Information

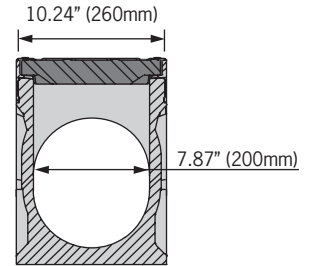
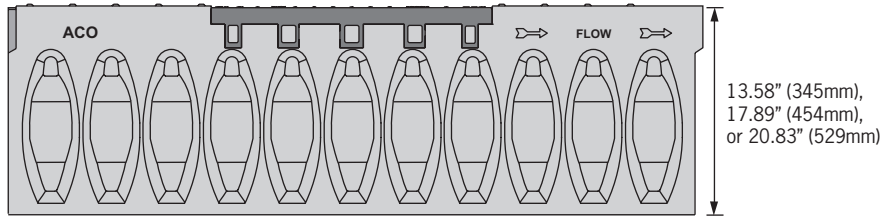
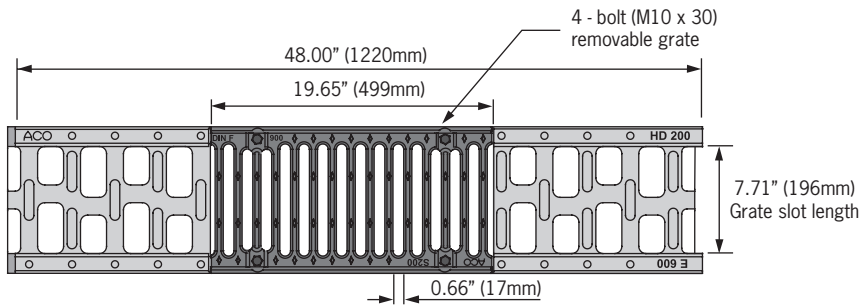


HighwayDrain Trench Drain System

Access Channel



ACO Specification Information



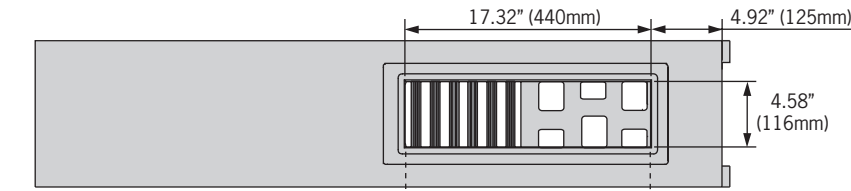
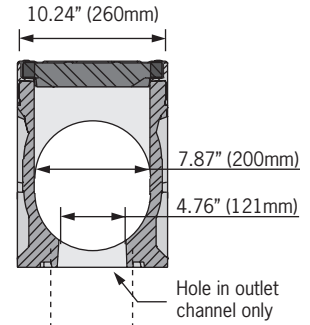
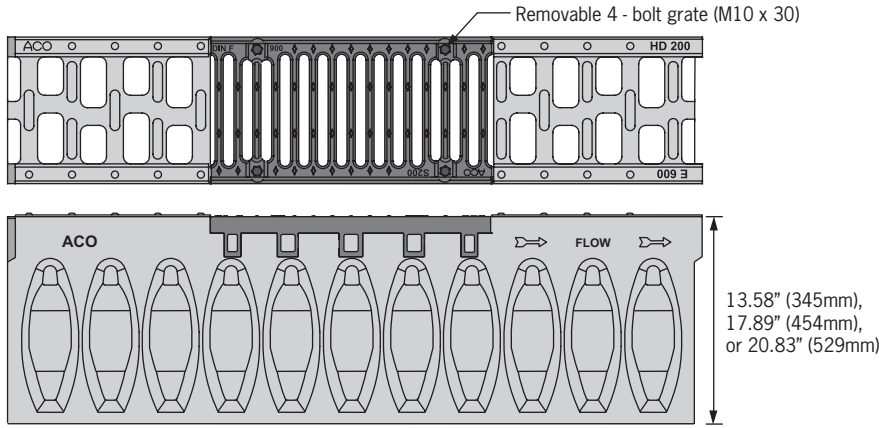
Channel Outlet Flow Rates

Outlet	Outlet Type	Outlet Size	Outlet From	Invert Depth	GPM	CFS
A	Outlet cap	8" Sch 40	HD01	12.52"	673	1.55
A	Outlet cap	8" Sch 40	HD025	19.88"	892	2.05
B	Vertical flume	8" Sch 40	HD01	19.20"	953	2.12
B	Vertical flume	8" Sch 40	HD025	26.45"	1,119	2.49
C	Horizontal flume	8" Sch 40	HD01	33.04"	1,172	2.61
C	Horizontal flume	8" Sch 40	HD025	40.29"	1,311	2.92
D	Vertical flume	12" Sch 40	HD01	19.20"	2,145	4.78
D	Vertical flume	12" Sch 40	HD025	26.45"	2,518	5.61
E	Horizontal flume	12" Sch 40	HD01	33.04"	2,546	5.67
E	Horizontal flume	12" Sch 40	HD025	40.29"	2,867	6.39

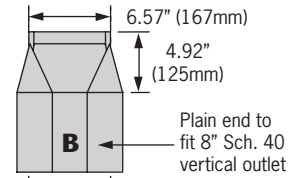
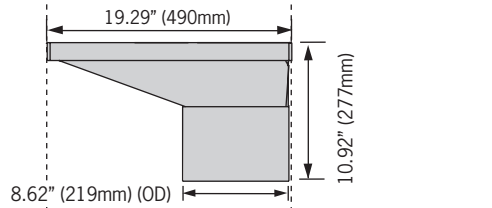
Note:

1. These are the pipe flow rates at the specified outlet, **NOT** channel flow rates.

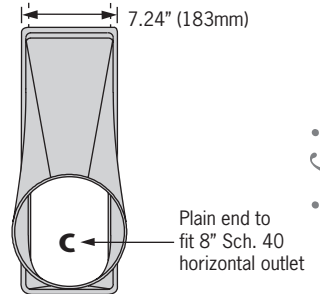
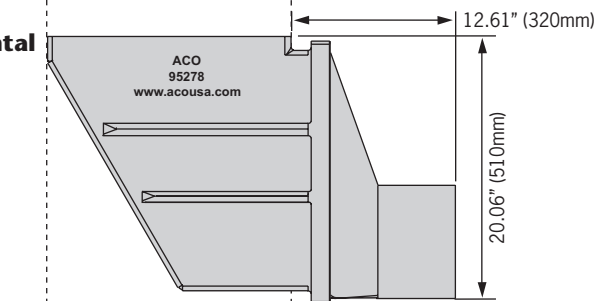
**Outlet Channel**



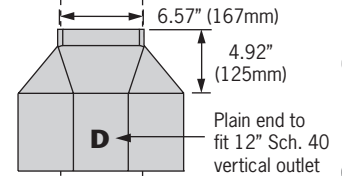
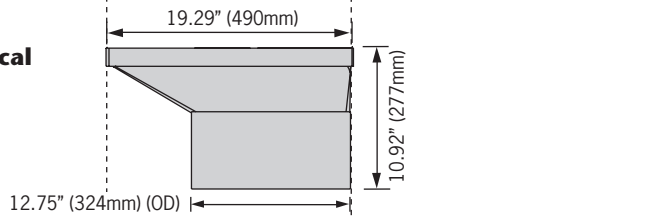
**Flume Outlet - 8\"/>**



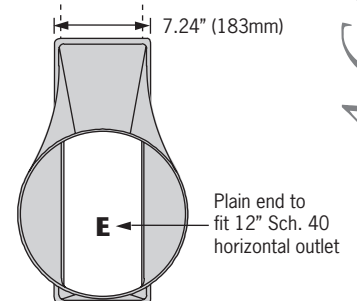
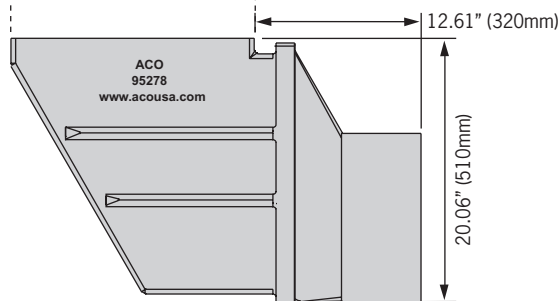
**Flume Outlet Kit - 8\"/>**



**Flume Outlet - 12\"/>**



**Flume Outlet Kit - 12\"/>**



*ACO Specification Information*

## HighwayDrain - Part List

Description	Part No	Length		Invert Depth - female		Invert Depth - male		Weight lbs
		inches	mm	inches	mm	inches	mm	
<b>HD01 Neutral channel</b>	<b>95250</b>	<b>48.00</b>	<b>1,220</b>	<b>12.52</b>	<b>318</b>	<b>12.52</b>	<b>318</b>	<b>241.0</b>
<b>HD01 Access channel</b>	<b>95317</b>	<b>48.00</b>	<b>1,220</b>	<b>12.52</b>	<b>318</b>	<b>12.52</b>	<b>318</b>	<b>243.0</b>
<b>HD01 Outlet channel</b>	<b>95326</b>	<b>48.00</b>	<b>1,220</b>	<b>12.52</b>	<b>318</b>	<b>12.52</b>	<b>318</b>	<b>233.0</b>
HD1 Sloping channel	<b>95253</b>	48.00	1,220	12.52	318	12.83	326	241.0
HD2 Sloping channel	<b>95255</b>	48.00	1,220	12.83	326	13.11	333	242.7
HD3 Sloping channel	<b>95259</b>	48.00	1,220	13.11	333	13.43	341	244.3
HD4 Sloping channel	<b>95254</b>	48.00	1,220	13.43	341	13.70	348	246.0
HD5 Sloping channel	<b>95258</b>	48.00	1,220	13.70	348	13.98	355	247.6
HD6 Sloping channel	<b>95257</b>	48.00	1,220	13.98	355	14.29	363	249.3
HD7 Sloping channel	<b>95252</b>	48.00	1,220	14.29	363	14.57	370	250.9
HD8 Sloping channel	<b>95251</b>	48.00	1,220	14.57	370	14.88	378	252.6
HD9 Sloping channel	<b>95256</b>	48.00	1,220	14.88	378	15.16	385	254.2
HD10 Sloping channel	<b>95263</b>	48.00	1,220	15.16	385	15.47	393	255.9
HD11 Sloping channel	<b>95265</b>	48.00	1,220	15.47	393	15.75	400	257.5
HD12 Sloping channel	<b>95267</b>	48.00	1,220	15.75	400	16.06	408	259.2
HD13 Sloping channel	<b>95262</b>	48.00	1,220	16.06	408	16.34	415	260.8
HD14 Sloping channel	<b>95269</b>	48.00	1,220	16.34	415	16.61	422	262.5
HD15 Sloping channel	<b>95266</b>	48.00	1,220	16.61	422	16.93	430	264.1
<b>HD015 Neutral channel</b>	<b>95261</b>	<b>48.00</b>	<b>1,220</b>	<b>16.93</b>	<b>430</b>	<b>16.93</b>	<b>430</b>	<b>264.1</b>
<b>HD015 Access channel</b>	<b>95328</b>	<b>48.00</b>	<b>1,220</b>	<b>16.93</b>	<b>430</b>	<b>16.93</b>	<b>430</b>	<b>266.1</b>
<b>HD015 Outlet channel</b>	<b>95327</b>	<b>48.00</b>	<b>1,220</b>	<b>16.93</b>	<b>430</b>	<b>16.93</b>	<b>430</b>	<b>256.1</b>
HD16 Sloping channel	<b>95264</b>	48.00	1,220	16.93	430	17.20	437	265.8
HD17 Sloping channel	<b>95260</b>	48.00	1,220	17.20	437	17.52	445	267.4
HD18 Sloping channel	<b>95268</b>	48.00	1,220	17.52	445	17.80	452	269.1
HD19 Sloping channel	<b>95275</b>	48.00	1,220	17.80	452	18.11	460	270.7
HD20 Sloping channel	<b>95272</b>	48.00	1,220	18.11	460	18.39	467	272.4
HD21 Sloping channel	<b>95274</b>	48.00	1,220	18.39	467	18.70	475	274.0
HD22 Sloping channel	<b>95270</b>	48.00	1,220	18.70	475	18.98	482	275.7
HD23 Sloping channel	<b>95277</b>	48.00	1,220	18.98	482	19.29	490	277.3
HD24 Sloping channel	<b>95273</b>	48.00	1,220	19.29	490	19.57	497	279.0
HD25 Sloping channel	<b>95276</b>	48.00	1,220	19.57	497	19.88	505	280.6
<b>HD025 Neutral channel</b>	<b>95271</b>	<b>48.00</b>	<b>1,220</b>	<b>19.88</b>	<b>505</b>	<b>19.88</b>	<b>505</b>	<b>280.6</b>
<b>HD025 Access channel</b>	<b>95329</b>	<b>48.00</b>	<b>1,220</b>	<b>19.88</b>	<b>505</b>	<b>19.88</b>	<b>505</b>	<b>282.6</b>
<b>HD025 Outlet channel</b>	<b>95322</b>	<b>48.00</b>	<b>1,220</b>	<b>19.88</b>	<b>505</b>	<b>19.88</b>	<b>505</b>	<b>272.6</b>
<b>Accessories</b>								
Flume outlet PP - 8" vertical	<b>95279</b>	-	-	-	-	-	-	2.4
Flume outlet kit PP - 8" horizontal	<b>95290</b>	-	-	-	-	-	-	7.5
Flume outlet PP - 12" vertical	<b>95285</b>	-	-	-	-	-	-	4.5
Flume outlet kit PP - 12" horizontal	<b>95287</b>	-	-	-	-	-	-	9.6
Closing cap PP	<b>95292</b>	-	-	-	-	-	-	1.8
Outlet cap kit PP - 8" Sch 40	<b>95293</b>	-	-	-	-	-	-	3.5
HD200 installation device	<b>95284</b>	-	-	-	-	-	-	3.3

### Notes:

1. Add nominal 1" (25mm) to invert depth for overall trench unit depth
2. Closing & outlet caps can be cut down for use with smaller trench units
3. Horizontal flumes are two piece unit
4. Outlet caps are two piece unit

### ACO Polymer Products, Inc.

#### East Sales Office

P.O. Box 245  
Chardon, OH 44024  
Tel: (440) 285-7000  
Toll free: (800) 543-4764  
Fax: (440) 285-7005

#### West Sales Office

P.O. Box 12067  
Casa Grande, AZ 85230  
Tel: (520) 421-9988  
Toll Free: (888) 490-9552  
Fax: (520) 421-9899

#### Southeast Sales Office

4211 Pleasant Road  
Fort Mill, SC 29708  
Tel: (800) 543-4764  
(800) 662-2377  
Fax (803) 802-1063

#### Follow us on



**Electronic Contact:**  
info@acousa.com  
www.acousa.com

© July 2013 PDF ACO Polymer Products, Inc.

All reasonable care has been taken in compiling this document. All recommendations on the use of ACO products are made without guarantee since the conditions of use are beyond the control of the company. ACO reserves the right to change the product and specifications without notice. Re-order #RD003

## Specifications

### General

The surface drainage system shall be ACO INFRASTRUCTURE HighwayDrain as manufactured by ACO Polymer Products, Inc. or equal approved.

### Materials

The trench system bodies shall be manufactured from polyester polymer concrete with minimum properties as follows:

Compressive strength:	14,000 psi
Flexural strength:	4,000 psi
Water absorption	0.07%
Frost proof	
Salt proof - B117 Salt Spray Test compliant	
Dilute acid and alkali resistant	

The nominal clear opening shall be 7.87" (200mm) with overall width of 10.24" (260mm). Modular units shall be manufactured with either an invert slope of 0.6% or with neutral invert and have a wall thickness of at least 0.75" (19mm). Each unit will feature a full radius in the trench bottom and a male to female interconnecting end profile. Units shall have cast in anchoring features on the outside wall to ensure maximum mechanical bond to the surrounding bedding material and pavement surface. Trench system shall be certified to load class E600 as defined by EN 1433 or able to withstand loadings up to 2,323 psi.

### Grates

Grate openings shall be monolithically cast as part of the trench drain body as a single piece. Grate openings provide 30% (36.20 sq. ins. per linear ft.) open area for maximum hydraulic efficiency. Access shall be via ductile iron 4-bolt access covers on all access and outlet channels. Access grate bolts are stainless steel M10 x 30.

### Installation

The trench drain system shall be installed in accordance with the manufacturer's installation instructions and drawings.

**An electronic version of the specification clause and installation section drawings are available on-line at [www.acoinfrastructure.us/resources.html](http://www.acoinfrastructure.us/resources.html)**

