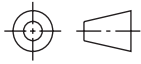
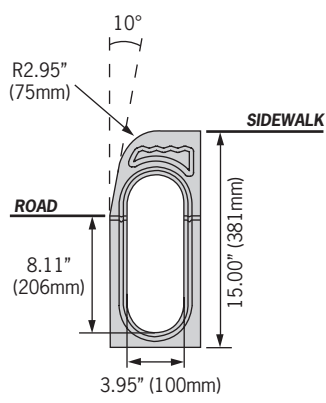
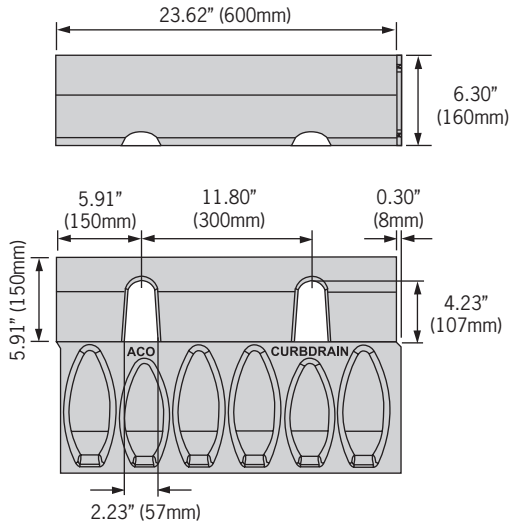




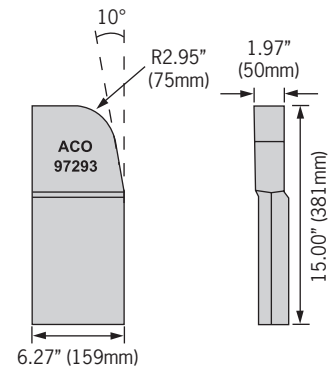
CurbDrain



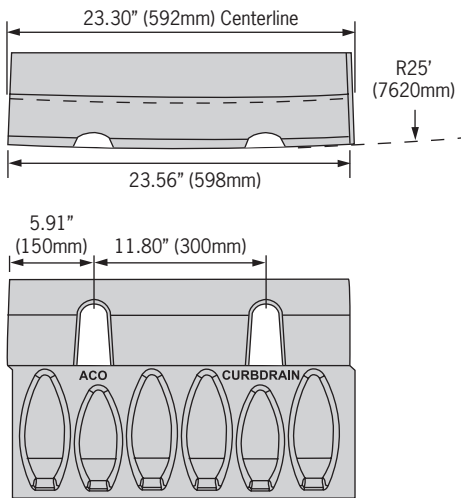
Standard Curb



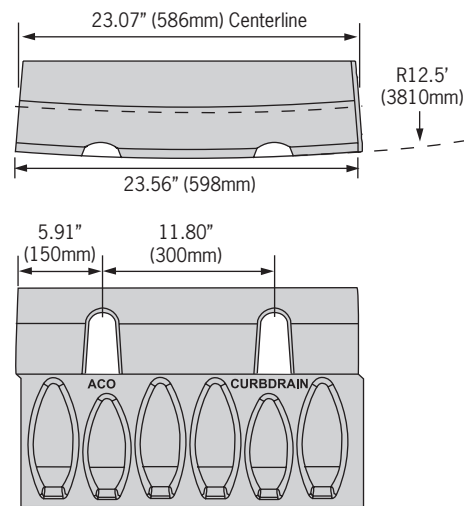
Closing Cap



Radius Curb - R25'



Radius Curb - R12.5'



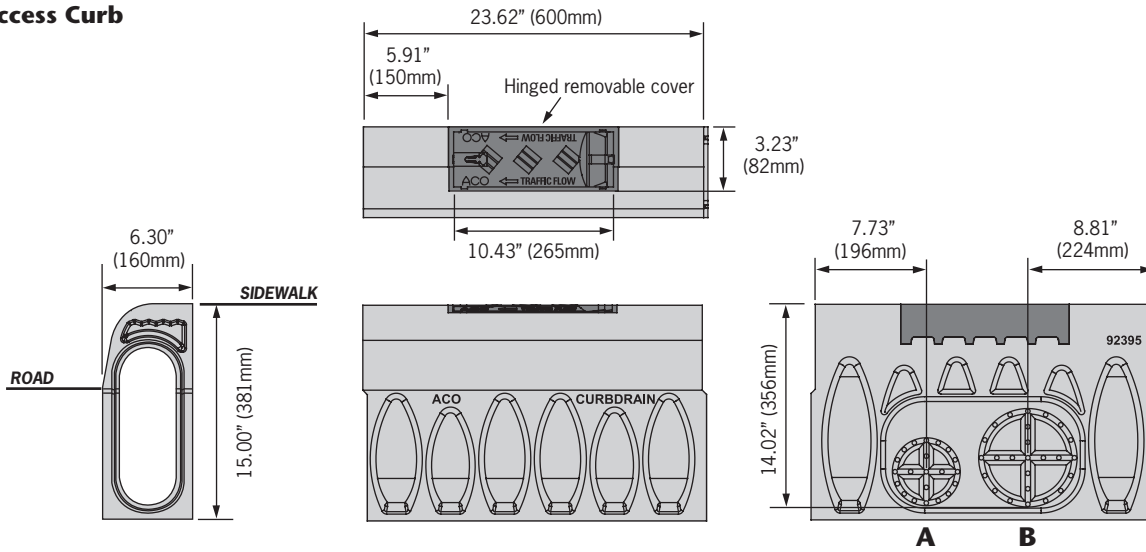
ACO Specification Information



ACO INFRASTRUCTURE

CurbDrain

Access Curb



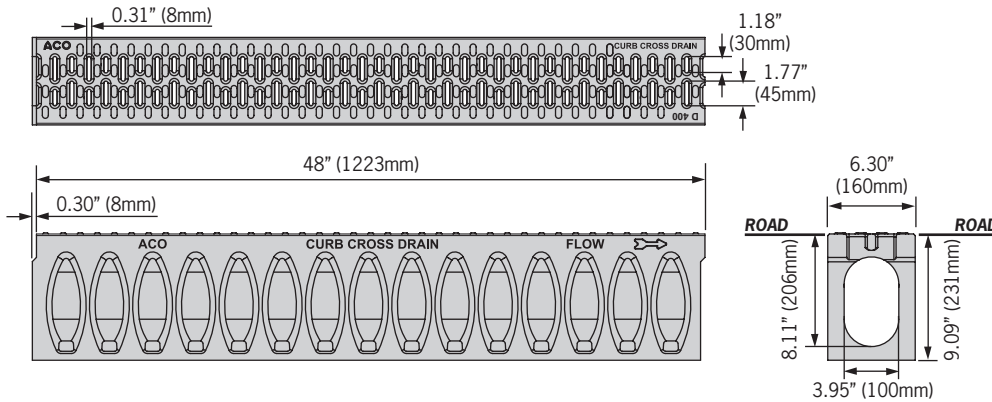
Outlet Flow Rates

Outlet	Outlet Type	Outlet Size	Outlet From	Invert Depth	GPM	CFS
A	Drill-out	4" Sch 40	Access curb	8.11"	135	0.30
B	Drill-out	6" Sch 40	Access curb	8.11"	280	0.62

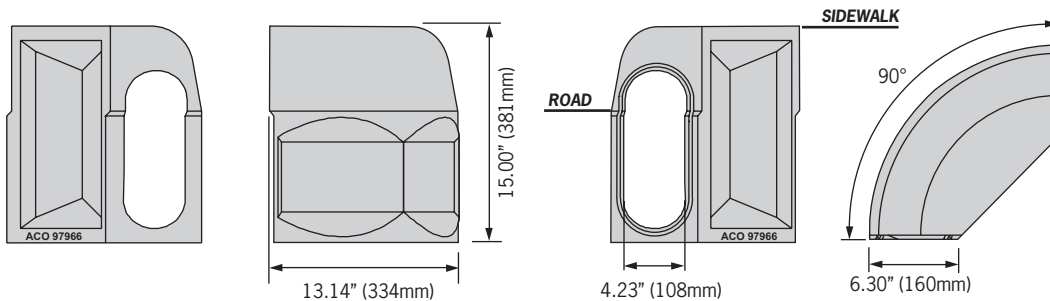
Note:

These are the pipe flow rates at the specified outlet, **NOT** channel flow rates.

Cross Curb Channel



Outside Corner - 90°

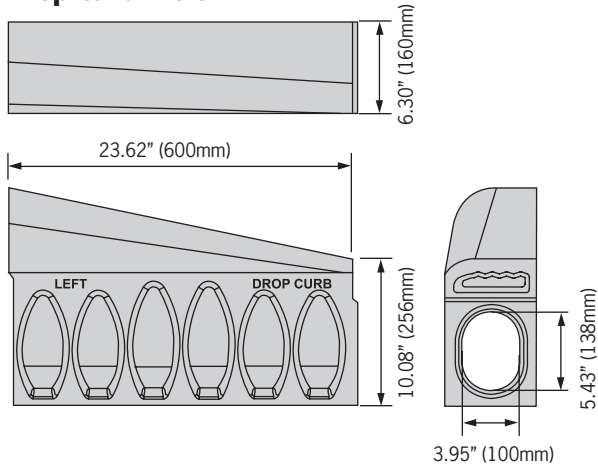


ACO Specification Information

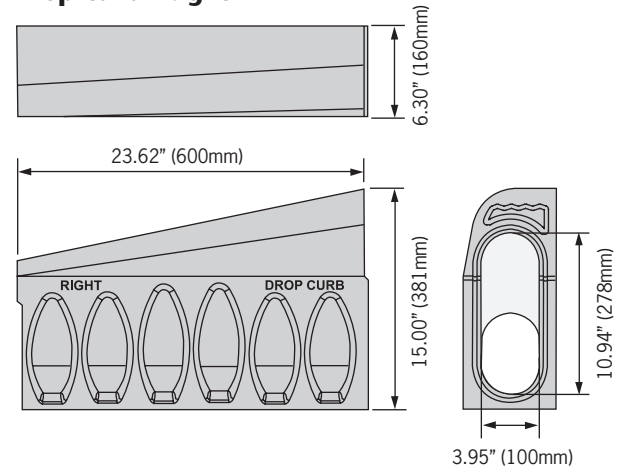
Driveway Access

The short drop curbs and center curb with inlets provide an easy solution for driveways. This solution allows for drainage at the low point but is not ADA compliant.

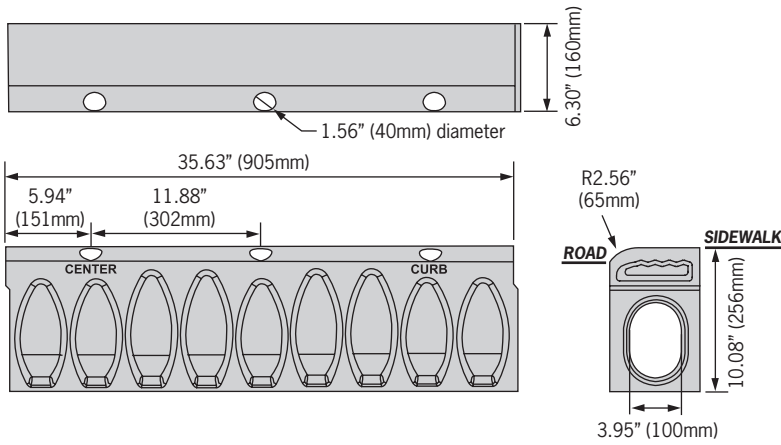
Drop Curb - Left



Drop Curb - Right



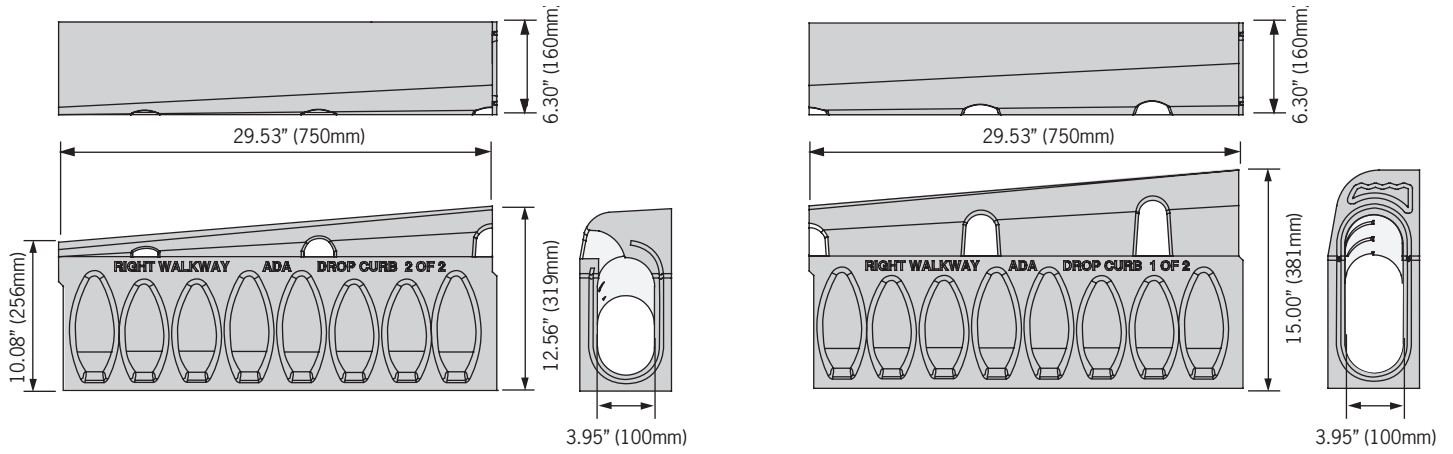
Driveway Center Curb



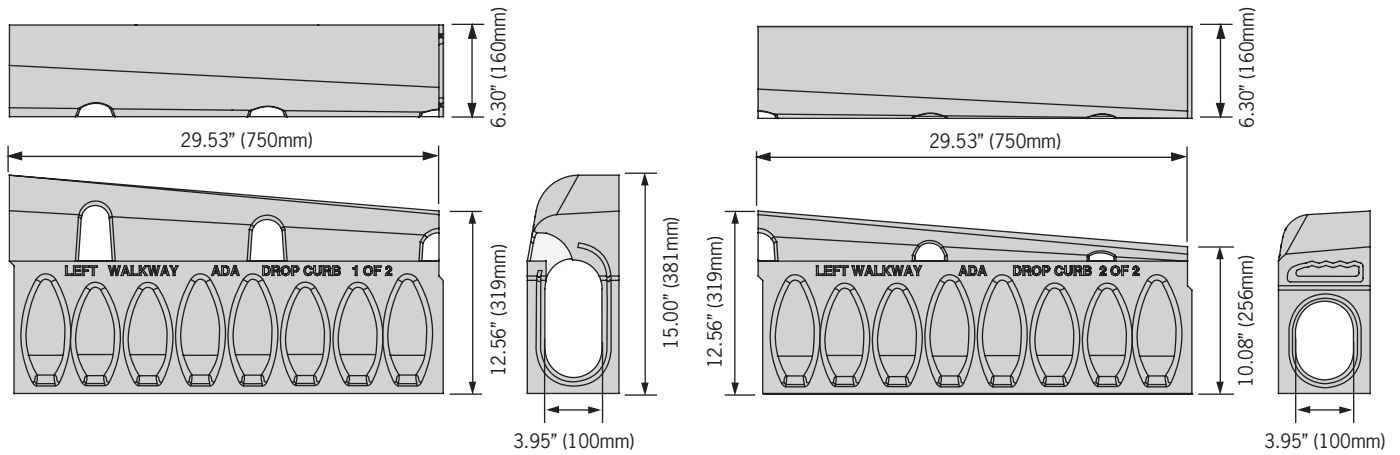
ADA Walkway Access

2-part drop curbs with inlets and center curb without inlets provide an ideal solution for ADA compliant pedestrian right of ways, sidewalks. The inlets in the 2-part drop curb ensure drainage around the low point. Tactile pavers complete the ADA compliant solution.

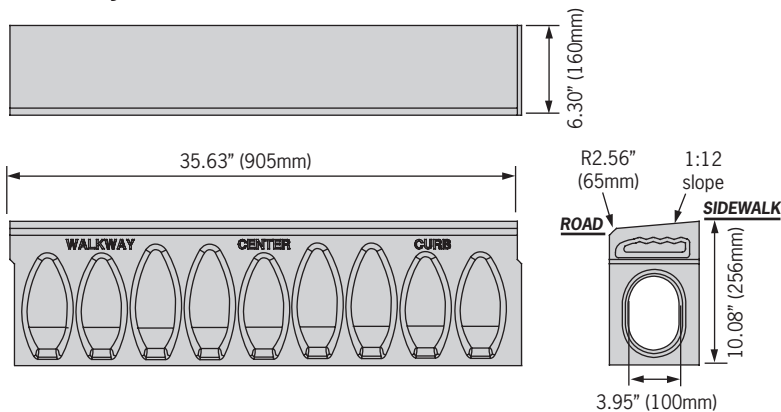
ADA Walkway Drop Curb - Right



ADA Walkway Drop Curb - Left

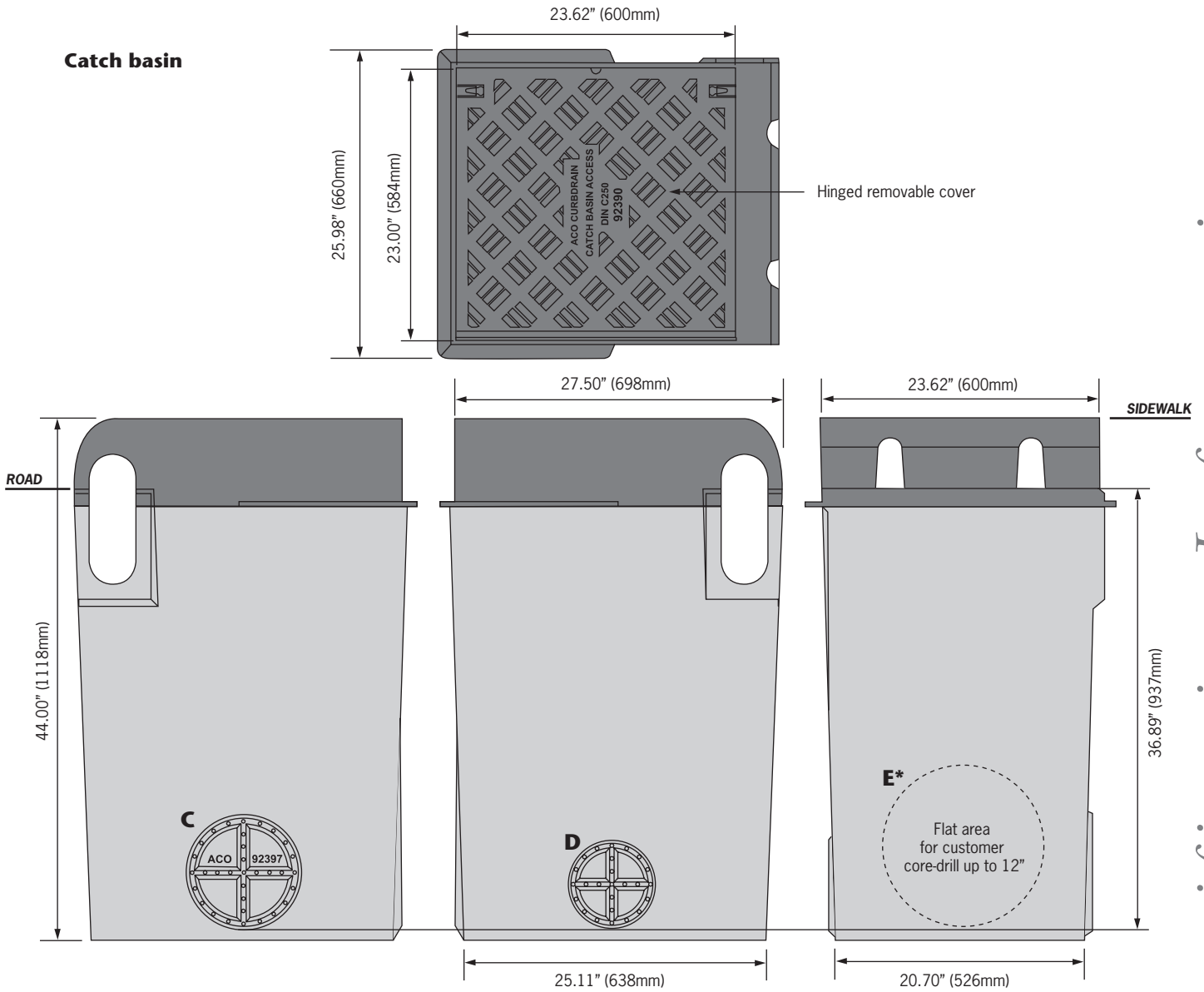


ADA Walkway Center Curb



ACO

Catch basin



Outlet Flow Rates

Outlet	Outlet Type	Outlet Size	Outlet From	Invert Depth	GPM	CFS
C	Drill-out	8" Sch 40	Catch basin	36.89"	1,248	2.78
D	Drill-out	6" Sch 40	Catch basin	36.89"	712	1.60
E*	Custom cut	10" Sch 40	Catch basin	36.89"	1,920	4.28
E*	Custom cut	12" Sch 40	Catch basin	36.89"	2,722	6.06

* Not a drill-out; flat area for custom core-drill/cut

Note:

These are the pipe flow rates at the specified outlet, **NOT** channel flow rates.

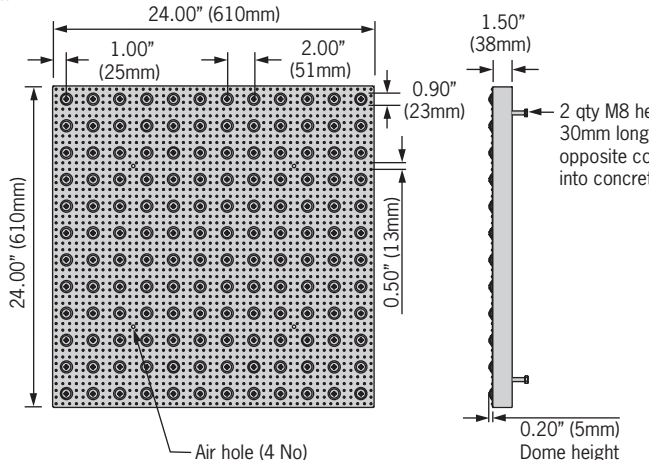
ACO Specification Information

CurbDrain - Part List

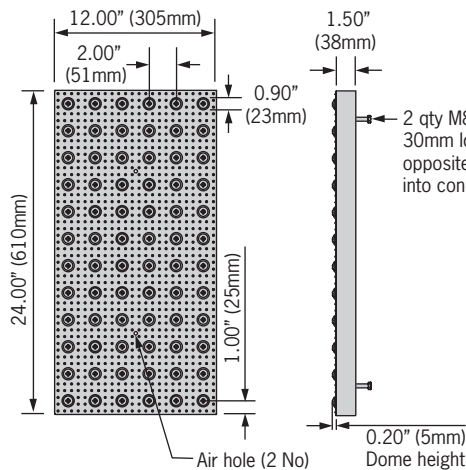
Description	Part No	Length		Invert Depth		Overall Depth		Weight lbs
		inches	mm	inches	mm	inches	mm	
Standard curb unit	92399	23.62	600	8.11	206	15.00	380	77.0
Radius curb (R12.5')	92386	23.56	598	8.11	206	15.00	380	88.5
Radius curb (R25')	92396	23.56	598	8.11	206	15.00	380	86.0
Driveway drop curb - left	97282	23.62	600	8.11	206	15.00	380	73.0
Driveway drop curb - right	97327	23.62	600	8.11	206	15.00	380	73.0
Driveway center curb - with inlets	97309	35.63	905	8.11	206	10.08	256	107.0
ADA walkway drop curb - left 1 of 2	92407	29.53	750	8.11	206	15.00	380	94.3
ADA walkway drop curb - left 2 of 2	92403	29.53	750	8.11	206	12.56	319	88.5
ADA walkway drop curb - right 1 of 2	92405	29.53	750	8.11	206	15.00	380	94.3
ADA walkway drop curb - right 2 of 2	92402	29.53	750	8.11	206	12.56	319	88.5
ADA walkway center curb	97316	35.63	905	8.11	206	10.08	256	106.1
Detectable warning device 12" - red	92387	24.00	610	-	-	1.50	38	31.0
Detectable warning device 24" - red	97314	24.00	610	-	-	1.50	38	62.0
Detectable warning device 12" - gray	92388	24.00	610	-	-	1.50	38	31.0
Detectable warning device 24" - gray	97315	24.00	610	-	-	1.50	38	62.0
90° Outside corner	97966	13.14	334	8.11	206	15.00	380	65.0
Closing end cap	97293	1.97	50	-	-	15.00	380	16.0
Cross curb channel - gray	97968	48.00	1,223	8.11	206	9.09	231	106.0
Cross curb channel - black	97970	48.00	1,223	8.11	206	9.09	231	106.0
Access curb	92395	23.62	600	8.11	206	15.00	380	83.0
Catch basin	92390	23.62	600	42.56	1,080	44.00	1,118	528.0

Detectable Warning Device

- 24" x 24"



- 12" x 24"



ACO Polymer Products, Inc.

East Sales Office

P.O. Box 245
Chardon, OH 44024
Tel: (440) 285-7000
Toll free: (800) 543-4764
Fax: (440) 285-7005

West Sales Office

P.O. Box 12067
Casa Grande, AZ 85230
Tel: (520) 421-9988
Toll Free: (888) 490-9552
Fax: (520) 421-9899

Southeast Sales Office

4211 Pleasant Road
Fort Mill, SC 29708
Tel: (800) 543-4764
(800) 662-2377
Fax (803) 802-1063

Follow us on



Electronic Contact:

info@acousa.com
www.acousa.com

Specifications

General

The surface drainage system shall be ACO INFRASTRUCTURE CurbDrain as manufactured by ACO Polymer Products, Inc. or equal approved.

Materials

The curb drainage system bodies shall be manufactured from polyester polymer concrete with minimum properties as follows:

Compressive strength: 14,000 psi
Flexural strength: 4,000 psi
Water absorption: 0.07%

Frost proof

Salt proof - B117 Salt Spray Test compliant
Dilute acid and alkali resistant

The nominal clear opening shall be 3.95" (100mm) with overall width of 6.30" (160mm). Modular units shall be manufactured with neutral invert and have a minimum wall thickness of at least 0.67" (16mm). Each unit will feature a full radius in the bottom and a male to female interconnecting end profile. A sealant groove provides a 0.25" recess to allow a bead of sealant to be inserted at joints if required. Units shall have cast in anchoring features on the outside wall to ensure maximum mechanical bond to the surrounding bedding material and pavement surface.

Each standard unit shall provide 2 front inlets, each providing 8.71 sq. ins. open area.

Combined curb & drainage system shall be certified to load class D400 as defined by EN 1433 or able to withstand loadings up to 1,859 psi. Curb shall offer impact resistance as defined by AASHTO Standard Specification for Highway Bridges - section 3.14.2 and/or certified to resist loads up to 114lbs dropped vertically from 6'-4".

Curb and detectable warning device surfaces shall be slip resistant as defined by ASTM C1028-06 and/or ASTM D2047-04.

Installation

The surface drain system shall be installed in accordance with the manufacturer's installation instructions and drawings.

An electronic version of the specification clause and installation section drawings are available on-line at www.acoinfrastructure.us/resources.html

© July 2013 ACO Polymer Products, Inc.

All reasonable care has been taken in compiling this document. All recommendations on the use of ACO products are made without guarantee since the conditions of use are beyond the control of the company. ACO reserves the right to change the product and specifications without notice. Re-order #RD004