

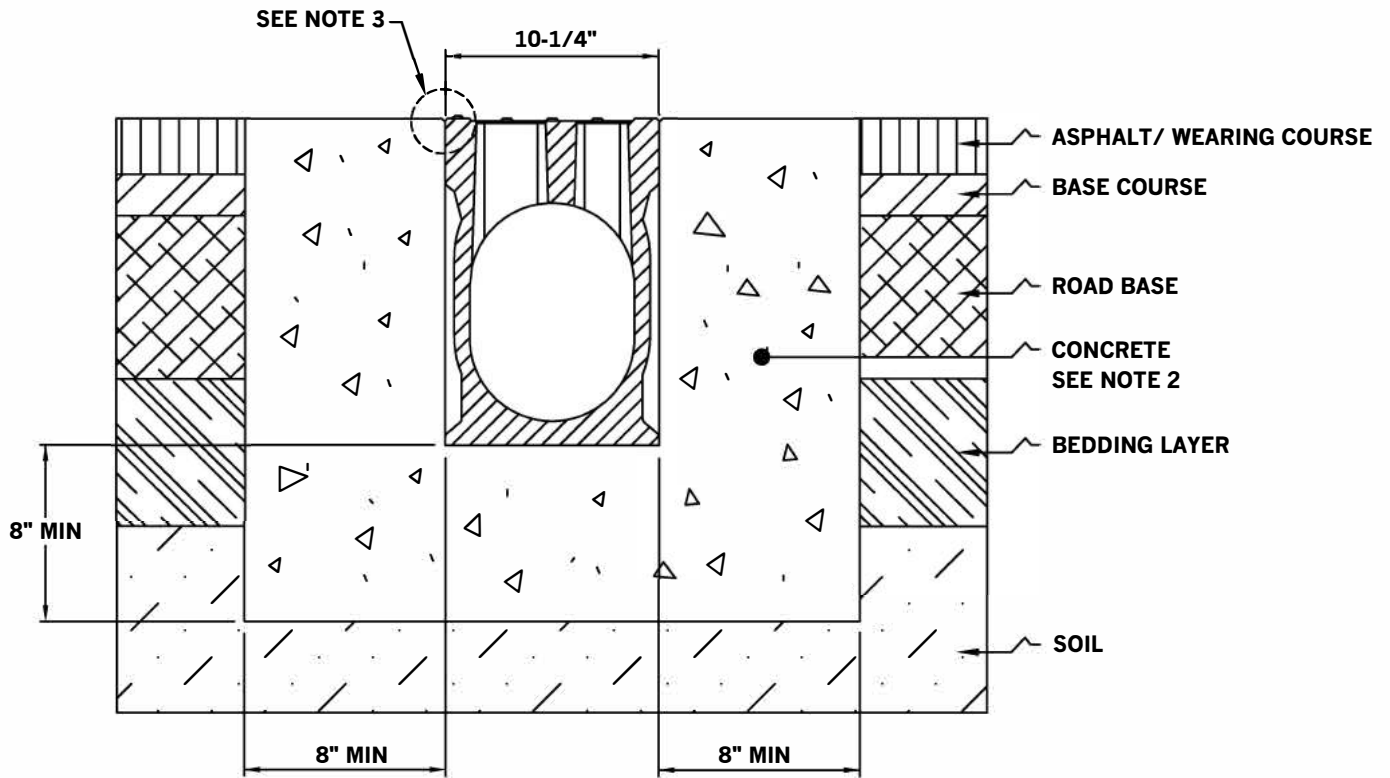


INSTALLATION DRAWING

ACO, Inc.
 9470 Pinecone Drive
 Mentor, OH 44060
 PH: 440-639-7230
 FX: 440-639-7235
 e-mail: sales@acousa.com

DRWG# 1814 Date: 6.14.07
 WWW.ACOUSA.COM

HighwayDrain: Load Class E : Concrete



NOTES:

1. It is necessary to ensure the minimum dimensions shown are suitable for the existing ground conditions. *Engineering advice may be required.*
2. A minimum concrete strength of 3000 PSI is recommended. The concrete should be vibrated to eliminate air pockets.
3. The finished level of the concrete must be approx. 1/8" above the top of the HighwayDrain channel.
4. Refer to ACO'S latest installation instructions for complete details.



SPECIFICATION CLAUSE

ACO, Inc.
 9470 Pinecone Drive
 Mentor, OH 44060
 PH: 440-639-7230
 FX: 440-639-7235
 e-mail: sales@acousa.com

DRWG# 1814 Date: 6.14.07
 WWW.ACOUSA.COM

HighwayDrain: Load Class E : Concrete

The surface drainage system shall be polymer concrete HighwayDrain system as manufactured by ACO, Inc., Chardon, Oh.

HighwayDrain channels shall be solely manufactured from gray polyester resin polymer concrete. No loose fitting grates acceptable.

The system shall be 8 inches (200mm) nominal inside width with a 10.25 in. (260mm) overall width.

Standard HighwayDrain units will have 34 downward flared inlet holes per each 48 in. (1219mm) length which provides 136 in² (87,600 mm²) 30% open inlet area. The units shall be installed with all necessary rodding access, catch basins and accessories as required for the scheme.

The complete drainage system shall be by ACO, Inc. Any deviation or partial system design and/or improper installation will void any and all warranties provided by ACO, Inc.

HighwayDrain channel shall withstand loading to Load Class E -DIN 19 580 (EN 1433). Channel shall be independently certified to meet the specified DIN 19580 (EN 1433) load class.

Polymer Concrete shall have material properties of: compressive strength range between 14,000-14,500 psi; flexural strength between 3600-4500 psi; tensile strength of 1500 psi. The material water absorption rate shall not exceed 0.1% by weight and shall be resistant to prolonged salt exposure, repetitive frost cycles and chemically resistant to dilute acids and alkalis.

The system shall be installed in accordance with the manufacturer's instructions and recommendations.