



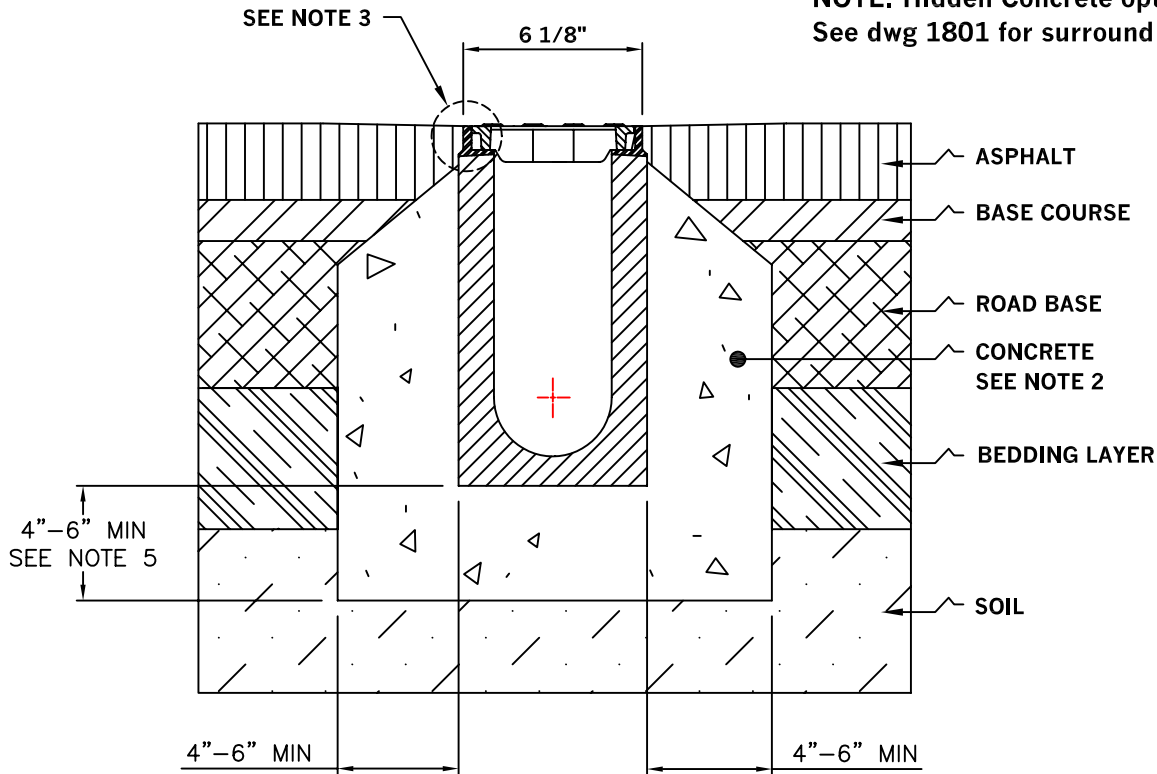
# INSTALLATION DRAWING

ACO Polymer Products Inc.  
P.O. Box 245  
Chardon, OH 44024  
PH: 440-285-7000  
FX: 440-285-8517  
e-mail: sales@acousa.com

DRWG# 1803 Date: 3.12.07  
WWW.ACOUSA.COM

## TD100: Load Class A-C : Asphalt Finish

**NOTE: Hidden Concrete option**  
See dwg 1801 for surround alternate.



### NOTES:

1. It is necessary to ensure the minimum dimensions shown are suitable for the existing ground conditions. *Engineering advice may be required.*
2. A minimum concrete strength of 3000 PSI is recommended. The concrete should be vibrated to eliminate air pockets.
3. The finished level of the concrete surround must be approx. 1/8" above the top of the channel edge.
4. Refer to ACO'S latest installation instructions for complete details.
5. Concrete base thickness should match slab thickness.



# SPECIFICATION CLAUSE

ACO Polymer Products Inc.  
P.O. Box 245  
Chardon, OH 44024  
PH: 440-285-7000  
FX: 440-285-8517  
e-mail: sales@acousa.com

DRWG# 1803 Date: 3.12.07  
WWW.ACOUSA.COM

## TD100 Traffic Drain System

### General

The surface drainage system shall be ACO ROAD TraffikDrain complete with gratings as manufactured by ACO Polymer Products, Inc.

### Materials

The trench system bodies shall be manufactured from polymer concrete with minimum properties as follows: Compressive strength of 14,000psi; Flexural strength of 4,000psi; Water absorption shall not exceed 0.07% by weight. Trench system shall be resistant to prolonged salt exposure, repetitive frost cycles and chemically resistant to dilute acids and alkalis.

The nominal clear opening shall be 4.00" (100mm) with overall width of 6.375" (160mm). Modular units shall be manufactured with either an invert slope of 0.6% or with neutral invert and have a minimum wall thickness of at least 0.67" (16mm). Each unit will feature a full radius in the trench bottom and a male to female interconnecting end profile. Units shall have horizontal cast in anchoring features on the outside wall to ensure maximum mechanical bond to the surrounding bedding material and pavement surface. The ductile iron edge rail will be integrally cast in by the manufacturer to ensure maximum homogeneity between polymer concrete body and edge rail. Each edge rail shall be at least 3/4" (6mm) thick.

### Grates

Grates are manufactured from ductile to ASTM A536-84 and shall be certified to load class E600 as defined by DIN 19580 / EN1433. Grates feature 60% open area or 38.92 sq inches for maximum hydraulic efficiency. Each grate shall be secured by two bolts and two locking lugs. After removal of grates there shall be uninterrupted access to the trench to aid maintenance.

### Installation:

The surface drain system shall be installed in accordance with the manufacturer's installation instructions and drawings.